

JACKS



JACKS



STROKE

Series	Description	Pg	1.1 Ton	2 Ton	3 Ton	3.6 Ton	5 Ton	5.5 Ton	6 Ton	7 Ton	8 Ton	10 Ton	11 Ton	12 Ton	13 Ton	15 Ton
	Bottle Jack Std	150		4.5"	4.5"		4.75"				4.75"			5.875"		6.125"
	Bottle Jack Low Profile	151												3.75"		
	Toe Jacks Std	152						8.25"					9.25"			
	Toe Jacks Economy	153		4.875"			4.875"					5.875"				
	Bottle Jacks Telescoping	154							12"				10.3"		10"	7.125"
	Bottle Jacks Sidewinder	155					.75"/1.5					1.1875"				
SJ	Post Tension/Stressing Jacks	157														
IJ	Inflatable Jacks	158	2.7"			4.7"				6.3"				8.8"		
PL	High Tonnage Portable Jack RR	160														
PM	High Tonnage Portable Jack	162														

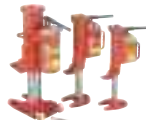
Page
BOTTLE JACKS...150
2-110 TON



Page
...151
LOW PROFILE
BOTTLE JACKS
12-30 TON



Page
...152
TOE JACKS
5 1/2 - 27 1/2 TON



Page
ECONOMY TOE JACKS
...153
2-10 TON



Page
...154
TELESCOPING JACKS
BOTTLE JACKS



Page
...155
SIDEWINDER JACKS



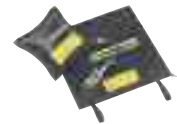
Page
...156
MAINTENANCE SETS



Page
...157
POST TENSION JACKS
20-30 TON



Page
...158-159
INFLATABLE JACKS
1-74 TON



Page
...160-163
PORTABLE
HIGH TONNAGE
RAILROAD JACKS



20 Ton	22 Ton	23.8 Ton	27.5 Ton	30 Ton	33 Ton	34 Ton	46.3 Ton	50 Ton	55 Ton	60 Ton	74.6 Ton	100 Ton	110 Ton	150 Ton
6.25"	6.125"			6.25"	5.625"			6.75"					6.125"	
3.375"				3.125"										
			9.1875"											
1.1875"														
8.5"/10"				8.5"/10"										
		12"				14"	16.4"				20.5"			
										14"		14"		
									13.125"			13.125"		18.125"

BOTTLE JACKS

2-110 Ton

Portable hydraulic power



INDUSTRIAL LIFTING AND PUSHING APPLICATIONS.

- Choose from this complete line of premium-quality, standard bottle jacks. Ideal for use in any number of industrial lifting and pushing applications.
- The 9110B, 9015B, 9022B and 9033B feature a beveled base which allows the jack to “follow” the load, reducing the chance of dangerous side-loading.
- Many jacks feature screw extensions
- Some jacks can be used in the vertical, angled or horizontal positions.
- Serrated or contoured saddles help stabilize the load for a safer lift.
- All jacks meet ASME B30.1 standards and carry the Power Team Marathon Lifetime Warranty.
- 110-ton jack features dual pumps for time-saving two-speed operation.



ORDERING INFORMATION*

Cap. Tons	Stroke (in.)	Order Number	Retracted Height (in.)	Length of Screw (in.)	Height w/Screw Ext. (in.)	No. Pump Strokes to Ext. Piston (in.)	Saddle Dia. (in.)	Base Size (in.)	Pump Handle Length (in.)	Handle Effort at Rated Cap. (lbs.)	Carry Handle	Product Weight (lbs.)
2	4 ¹ / ₂	9002A	7 ¹ / ₈	1 ¹⁵ / ₁₆	13 ⁹ / ₁₆	5	1	4 ¹¹ / ₃₂ x 2 ⁹ / ₁₆	12 ¹ / ₄	75	No	4.8
3	4 ¹ / ₂	9003A	7 ¹ / ₂	2 ³ / ₈	14 ³ / ₈	10	1 ¹ / ₈	4 ¹ / ₂ x 2 ²⁷ / ₃₂	19 ¹ / ₄	45	No	5.8
5	4 ³ / ₄	9005A	7 ⁷ / ₈	2 ³ / ₄	15 ³ / ₈	12	1 ³ / ₈	5 ³ / ₁₆ x 3	21 ⁷ / ₁₆	55	No	8
8	4 ³ / ₄	9008A	7 ⁷ / ₈	2 ³ / ₄	15 ³ / ₈	18	1 ¹ / ₂	6 x 3 ¹ / ₂	23 ¹³ / ₁₆	75	No	12.1
12	5 ⁷ / ₈	9112A	9 ¹ / ₂	3 ¹ / ₈	18 ¹ / ₂	26	1 ⁷ / ₈	6 ¹ / ₂ x 4 ³ / ₁₆	23 ¹³ / ₁₆	60	Yes	17.5
15	6 ¹ / ₈	9015B	9 ² / ₁₆	4 ¹ / ₂	19 ⁷ / ₈	27	2 ³ / ₈	5 ¹ / ₈ x 5 ¹ / ₂ †	27 ⁹ / ₁₆	90	No	18.3
20	6 ¹ / ₄	9120A	10 ⁵ / ₈	3 ⁵ / ₈	20 ¹ / ₂	22	2	7 ³ / ₁₆ x 5 ¹ / ₁₆	31 ¹ / ₂	70	Yes	28.5
22	6 ¹ / ₈	9022B	9 ⁷ / ₁₆	4 ⁵ / ₁₆	20 ¹ / ₂	36	2 ³ / ₈	6 ¹ / ₂ x 6 ⁵ / ₁₆ †	27 ⁹ / ₁₆	90	Yes	23.6
30	6 ¹ / ₄	9030A	11	—	17 ¹ / ₄	35	2 ³ / ₈	7 ⁹ / ₁₆ x 5 ⁹ / ₁₆	39 ³ / ₈	50	Yes	41.2
33	5 ⁵ / ₈	9033B	9 ⁷ / ₁₆	4 ³ / ₁₆	19 ³ / ₄	56	2 ⁹ / ₁₆	7 ¹ / ₄ x 6 ¹⁵ / ₁₆ †	27 ⁹ / ₁₆	88	Yes	32
50	6 ³ / ₄	9050A	12	—	18 ³ / ₄	35	3	9 ⁵ / ₁₆ x 7 ³ / ₈	39 ³ / ₈	85	Yes	78
110	6 ¹ / ₈	9110B	11 ¹³ / ₁₆	—	17 ¹⁵ / ₁₆	40/160‡	4 ³ / ₈	13 ³ / ₈ x 11 ⁷ / ₁₆	27 ⁹ / ₁₆	79	Yes	154.3

*See current price list for shipping weights.

† Comes with a Beveled Base

‡ 2 Speed: Rapid advance≈40 strokes; Lift mode≈160 strokes

BOTTLE JACKS

Low Profile

12, 20 & 30 Ton



THE RIGHT CHOICE FOR THOSE LOWER CLEARANCE JOBS.

• All the quality, features and lifting capacity of the standard jacks in short form. The 12-ton and 20-ton models feature screw extensions for added versatility.

• All jacks meet ASME B30.1 standards and carry the Power Team Marathon Lifetime Warranty.

• All jacks operate both vertically and horizontally for use in a variety of lifting, pushing and spreading applications.



ORDERING INFORMATION*

Cap. Tons	Stroke (in.)	Order Number	Retracted Height Min. (in.)	Length of Screw Ext. (in.)	Height w/Screw Ext. (in.)	No. Pump Strokes to Ext. Piston (in.)	Saddle Dia. (in.)	Base Size (in.)	Pump Handle Length (in.)	Handle Effort at Rated Cap. (lbs.)	Carry Handle	Product Weight (lbs.)
12	3 ³ / ₄	9012A	6 ³ / ₄	3	13 ¹ / ₂	26	1 ⁷ / ₈	6 ¹ / ₂ X 4 ³ / ₁₆	23 ¹³ / ₁₆	60	Yes	14
20	3 ³ / ₈	9020A	7 ¹ / ₈	1 ⁹ / ₁₆	12	22	2	7 ³ / ₁₆ X 5 ¹ / ₁₆	31 ¹ / ₂	70	Yes	22.2
30	3 ¹ / ₈	9130A	7 ¹ / ₈	—	10 ¹ / ₄	35	2 ³ / ₈	7 ⁹ / ₁₆ X 5 ⁹ / ₁₆	39 ³ / ₈	50	Yes	30.2

* See current price list for shipping weights.

† 2 Speed: Rapid advance≈40 strokes; Lift mode≈160 strokes

TOE JACKS

5.5, 11 & 27.5 Ton

GET UNDER EQUIPMENT WITH ONLY 1 1/16" OF GROUND CLEARANCE.

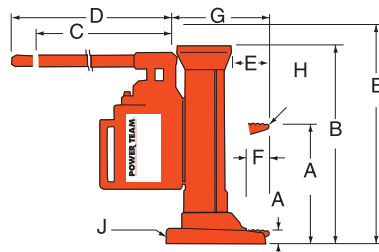
- With lifting points on the toe and on the top, these extremely rugged jacks are ideal for machine lifting, rigging, lift truck service and much more.
- Choose from 5.5-ton, 11-ton, and now, an amazing 27.5-ton lifting capacity.
- All jacks operate both vertically and horizontally.
- Base, toe and pumping assembly swivel independently, allowing the jack to work in confined areas.



ASME B30.1



The J Series Toe Jack is an extremely rugged jack used here for lift truck service.



DIMENSIONS

Order Number	A		B		C	D	E	F	G	H	J
	Ret. (in.)	Ext. (in.)	Ret. (in.)	Ext. (in.)							
J58T	1 ¹ / ₁₆	9 ³ / ₈	14 ³ / ₄	23	14 ¹ / ₂	17 ³ / ₄	2 ¹³ / ₁₆	2 ³ / ₁₆	6 ¹⁵ / ₁₆	1 ⁵ / ₈	5 ¹ / ₈
J109T	1 ¹ / ₁₆	10 ³ / ₈	16 ¹ / ₂	25 ³ / ₄	14 ¹ / ₂	17 ³ / ₄	3	2 ³ / ₁₆	7 ¹ / ₃₂	2 ¹ / ₂	6 ³ / ₄
J259T	2 ¹ / ₈	11 ³ / ₈	19 ⁷ / ₈	29 ⁷ / ₁₆	8 ¹ / ₄	29 ³ / ₄	5 ³ / ₄	4	10 ¹ / ₂	3 ¹ / ₂	10 ⁵ / ₈

Cap. Tons	Max Lift Stroke	Order Number	Strokes to Extend 1 in. Piston	Handle Effort at Max Load (lbs.)	Carry Handle	Product Wt. (lbs.)
5 ¹ / ₂	8 ¹ / ₄	J58T	8	83.9	Yes	43
11	9 ¹ / ₄	J109T	13	88	Yes	64
27 ¹ / ₂	9 ³ / ₁₆	J259T	21	88	Yes	203

*See current price list for shipping weights.



TOE JACKS

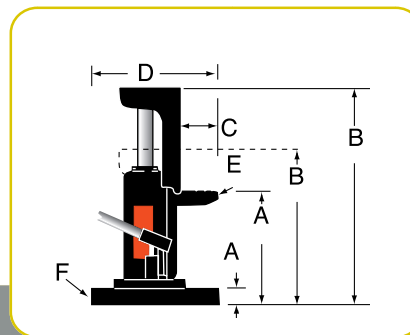
Economy

2, 5 & 10 Ton



**JUST THE POWER YOU NEED
AT A PRICE YOU CAN AFFORD.**

- These bottle jack-style toe jacks are loaded with many of the same features as our standard bottle jacks, but the toe-lift feature and swiveling pump handle make them ideal for machinery lifting and positioning.
- An internal pressure relief provides added safety by limiting the jack's lifting capability to the capacity of the toe.
- Spring return is an added feature on the larger jacks.
- Swiveling pump handle assembly available on the 5- and 10-ton models. The swiveling jack assembly allows you to access and pump the unit from numerous positions.



DIMENSIONS

Order Number	A		B		C	D	E	F
	Ret. (in.)	Ext. (in.)	Ret. (in.)	Ext. (in.)				
J24T	5/8	5 1/2	9 1/4	14	1 7/8	7 7/8	2	4 15/16
J55T	1	5 7/8	11 1/2	16 3/8	1 7/8	10 1/8	3	7 1/4
J106T	1 1/4	7 7/8	12 7/8	18 3/4	2 1/2	11 1/2	3 15/16	9 1/2

ORDERING INFORMATION*

Cap. Tons	Max Lift Stroke	Order Number	Strokes to Extend Piston		Handle Effort at Max Load (lbs.)	Product Carry Handle	Product Wt. (lbs.)
			1 in.				
2	4 3/4	J24T	14		42	Yes	18.3
5	4 7/8	J55T	22		60	Yes	53
10	5 7/8	J106T	31		73	Yes	83.8

*See current price list for shipping weights.

BOTTLE JACKS

Telescoping

6-15 Ton

THESE JACKS OFFER GREATER EXTENDED LIFTING CAPABILITY.



ASME B30.1

- Telescoping jacks offer all of the quality features and capabilities of the standard bottle jack line with a bonus. The super-long stroke of these jacks saves time and effort by eliminating the need to lift, crib, lift, etc. In most applications, the user can place the jack once and complete the lift.
- The 9015X offers very low clearance capability, making it the ideal choice for forklift maintenance or machine lifting.
- The taller 9006X, 9011X and 9013X all feature a unique beveled base that allows the jack to “follow” the load laterally as it is raised, greatly reducing side-loading of the piston.



ORDERING INFORMATION*

Cap. Tons	Stroke (in.)	Order Number	Retracted Height (in.)	Length of Screw Ext. (in.)	Height w/Screw Ext. (in.)	No. Pump Strokes to Ext. Piston (in.)	Saddle Dia. (in.)	Base Size Beveled Base † (in.)	Pump Handle Length (in.)	Handle Effort at Rated Cap. (lbs.)	Carry Handle	Product Weight (lbs.)
6	12	9006X	8 ¹ / ₂	—	20 ¹ / ₂	14	1 ³ / ₄	4 ³ / ₄ X 5 ¹ / ₄ †	27 ⁹ / ₁₆	79	No	14
11	10.3	9011X	7 ⁷ / ₈	2 ¹¹ / ₁₆	20 ⁷ / ₈	25	1 ⁵ / ₈	6 ⁵ / ₁₆ X 6 ¹ / ₂ †	27 ⁹ / ₁₆	88	No	19.5
13	10	9013X	9 ¹ / ₁₆	3 ⁵ / ₁₆	22 ⁷ / ₁₆	35	1 ⁷ / ₈	6 ¹⁵ / ₁₆ X 7 ⁵ / ₁₆ †	27 ⁹ / ₁₆	79	Yes	25
15	7 ¹ / ₈	9015X	6 ¹¹ / ₁₆	2 ³ / ₄	16 ¹ / ₂	32	2 ¹ / ₁₆	5 ⁵ / ₈ X 7 ⁵ / ₈	23 ⁵ / ₈	95	Yes	26.5

*See current price list for shipping weights.

SIDEWINDER JACKS

Mini jacks

5-20 Ton



COMPACT SIDEWINDER MINI JACK FITS IN YOUR PALM AND DELIVERS 5, 10 & 20 TONS OF LIFTING FORCE.

ASME B30.1



- Retracted height of just $2\frac{9}{16}$ " for the smallest jack and $5\frac{1}{8}$ " for the 20 ton, allows you to slip this jack into the narrowest of crevices.
- Jacks operate either horizontally or vertically. Handles function in line with base for easier use in confined spaces.
- The perfect addition to any toolbox, this remarkable little jack has multiple uses that are limited only by your imagination. Use it as a jack or a spreader. Use it to turn your mechanical gear puller (puller capacity must match jack capacity) into a hydraulic puller. Use it vertically or horizontally in limited clearance.



ORDERING INFORMATION*

Cap. Tons	Stroke (in.)	Order Number	Retracted Height Min. (in.)	Max Height (in.)	No. Pump Strokes to Ext. Piston	Saddle Dia. (in.)	Base Size (in.)	Pump Handle Length (in.)	Handle Effort at Rated Cap. (lbs.)	Carry Handle	Product Weight (lbs.)
5	$\frac{3}{4}$	9105A	$2\frac{1}{2}$	$3\frac{3}{8}$	30	$\frac{1}{9}$ / ₆₄	$2\frac{29}{32}$ Dia.	$\frac{9}{16}$	57	No	4.2
5	$1\frac{1}{2}$	9205A	$3\frac{1}{2}$	$5\frac{1}{8}$	38	$\frac{1}{9}$ / ₆₄	$2\frac{29}{32}$ Dia.	$\frac{9}{16}$	57	No	5.3
10	$1\frac{3}{16}$	9210A	$4\frac{3}{4}$	$5\frac{7}{8}$	36	$1\frac{21}{32}$	$4\frac{21}{64}$ Dia.	$17\frac{21}{64}$	62	No	12.1
20	$1\frac{3}{16}$	9220A	$5\frac{1}{8}$	$6\frac{5}{16}$	46	$2\frac{5}{64}$	$4\frac{23}{32}$ Dia.	$23\frac{13}{16}$	77	No	17.6

*See current price list for shipping weights.

MAINTENANCE SETS

Hydraulic system components

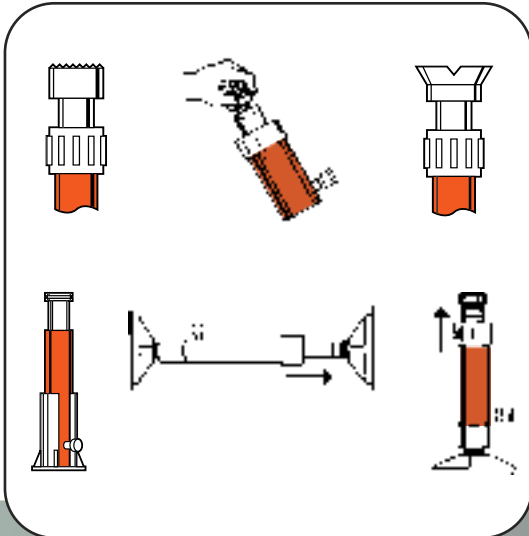
IM10E



IM10H



APPLICATION FLEXIBILITY



- Matched hydraulic system components, adapters and hydraulic spreader, contained in a rugged carrying and storage case.
- Portable sets are ideal for pushing, pulling, lifting, straightening, or clamping at remote job sites.
- Cylinders in set are rated at 10 tons at 10,000 psi. Set components are designed for full rated capacity of cylinders.
- Set IM10H/IM10L includes hand operated pump. Set IM10E includes the Quarter Horse® electrically driven portable power unit.



JACKS

ORDERING INFORMATION*

CONTENTS OF SET NO. IM10E		CONTENTS OF SET NO. IM10H			NO. IM10L
Description	Order No.	Description	Order No.	Order No.	Order No.
Hydraulic spreader	HS2000	Hydraulic spreader	HS2000	HS2000	HS2000
Hand pump (electric)	PE102	Hand pump	P59	P59L	P59L
10,000 psi hyd. gauge	9041	10,000 psi hyd. gauge	9041	9041	9041
Tee adapter	9670	Tee adapter	9670	9670	9670
Hose & coupler assembly	9754	Hose & coupler assembly	9754	9754	9754
90° V base	25395	90° V base	25395	25395	25395
Threaded coupler	25664	Threaded coupler	25664	25664	25664
Serrated saddle	31772	Serrated saddle	31772	31772	31772
Flat base	32325	Flat base	32325	32325	32325
Extension rod - 5" length	350897	Extension rod - 5" length	350897	350897	350897
Extension rod - 10" length	38909	Extension rod - 10" length	38909	38909	38909
Extension rod - 18" length	350898	Extension rod - 18" length	350898	350898	350898
Cyl. support base	420062	Cyl. support base	420062	420062	420062
Cyl. ass'y, 10 ton, 10 ¹ / ₈ " stroke	C1010CBT	Cyl. ass'y, 10 ton, 6 ¹ / ₈ " stroke	C106CBT	C106CBT	C106CBT
Cyl. ass'y, 10 ton, 6 ¹ / ₈ " stroke	C106CBT	Storage box*	350722	350722	350722
Storage box*	350722				
	Prod. Weight – 106 lbs.		Prod. Weight – 89 lbs.	Prod. Weight – 81 lbs.	

* Actual product may differ from photo.

POST TENSION

& Stressing jacks

20 & 30 Ton

SJ2010
SJ3010



SJ2010DA
SJ3010DA

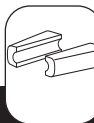
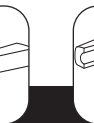
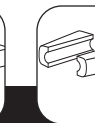
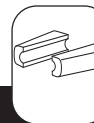
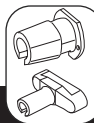
- Power Team Monostrand Stressing Jacks are the most durable in the industry.
- Ideally suited for work on slab-on-grade where dirt, heat and high volume use take their toll.
- Available in single- or double-acting models.
- Standard single-acting units have a 10" stroke. Other stroke lengths are available on special order.
- Dead-end seaters for production work and field work available on special order. **(Part #400120)**
- Service repair is simple; components are long lasting and easily replaced.
- 3" detachable seater nose assembly easily replaced with optional 6" nose assembly.
- The jack of choice for high-rise and elevated work, thanks to fast return time and light weight.
- All hydraulic fluid controls are interior designed; more efficient and safer operation during tensioning and retraction.
- Standard double-acting units have an 8½" stroke; others available on special order.
- Specially designed Power Team Control Valves are available for post tensioning jacks. See pages 129.

ORDERING INFORMATION*

Description	Cyl. Cap. Tons	Stroke (in.)	Order Number	Recommended Pumps for this Stressing Jack	Oil Capacity (cu. in.)	Strand Diameter (in.)	Seater Type	Internal Pressure at Capacity	Tons at 10,000 psi	Weight (lbs.)
Post tension jack with spring seater, 0.50" strand.	20	10	SJ2010	PE554P/PE604T	45.2	.375-.50	Spring	8,948	22.4	55
Post tension jack with power seater, 0.50" strand.	20	10	SJ2010P	PE554PT/PE604PT	45.2	.375-.50	Power	8,948	22.4	55
Double-acting post tension jack with power seater, 0.50" strand.	20	8½"	SJ2010DA	PE554PT/PE604PT	53.0	.375-.50	Power	7,575	26.4	42
Post tension jack with spring seater, 0.60" strand.	30	10	SJ3010	PE554P/PE604T	63.6	.375-.60	Spring	9,549	31.4	76
Post tension jack with power seater, 0.60" strand.	30	10	SJ3010P	PE554PT/PE604PT	63.6	.375-.60	Power	9,549	31.4	76
Double-acting post tension jack with power seater, 0.60" strand.	30	8½"	SJ3010DA	PE554PT/PE604PT	67.6	.375-.60	Power	7,554	39.7	52

*See current price list for shipping weights.

STRESSING JACK ACCESSORIES AND HOSES—ORDERING INFORMATION



Used with Stressing Jack	3" Nose Piece	3" Wedge Seater	6" Nose Piece	6" Wedge Seater	3/8" Diameter Gripper Set	7/16" Diameter Gripper Set	1/2" Diameter Gripper Set	19/32" Diameter Gripper Set	Replacement Gripper Handle	Gripper Retainer Plate (2 used)
SJ2010	252564	252562	252759	252763	252568	252761	252567	NA	252570	252565
SJ2010P	252564	252562	252759	252763	252568	252761	252567	NA	252570	252565
SJ2010DA	252543	252542	252760	252764	252650	252762	252555	NA	252556	252544
SJ3010	252564	252562	252759	252763	252568	252761	252567	252569	252570	252565
SJ3010P	252564	252562	252759	252763	252568	252761	252567	252569	252570	252565
SJ3010DA	253363	253361	253364	253362	253390	NA	253391	253365	252556	252544

No. 9758 Hose - 10 ft. rubber, wire-braid (2-ply, 20,000 psi burst rating) 3/8" NPTF male hose ends

No. 9763 Hose - 10 ft. rubber, wire-braid (2-ply, 20,000 psi burst rating) 3/8" x 1/4" NPTF male hose ends



INFLATABLE JACKS

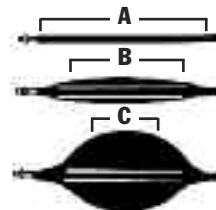
1-74 Ton



The non-skid space age reinforced inflatable jack is perfect for many applications.

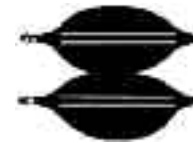
- Highly flexible and lightweight jacks only require an air supply of 116 psi maximum. Any non-explosive gas or water can also be used for inflation.
- Uninflated jacks are only 1" thick, making seemingly impossible lifting tasks routine.
- Space age reinforced, multi-layer aramid construction, widely overlapping on all sides. Tested at 175 psi.
- In rugged testing, jacks withstood tens of thousands of inflate/deflate cycles at 116 psi.
- Large surface area and material flexibility allow jacks to lift loads on soft or compressible surfaces without support cribbing being necessary.
- Safety first! The controller, shut-off and air hoses are all equipped with USA industrial interchange style air couplers. Female half coupler bodies have a locking collar, protecting operator from accidentally disconnecting jack while under load.
- Surface of jack has a non-skid pattern, assuring that the jack won't "walk away" from the job. Jacks can be used to lift a load from an uneven surface, are tolerant of side-loaded applications.
- Non-conducting material resists oil, ozone and most chemicals. Cold resistant down to -40° F, heat resistant up to 240° F (short term) or 200° F (long term).

IJ Series Inflatable Air Jacks



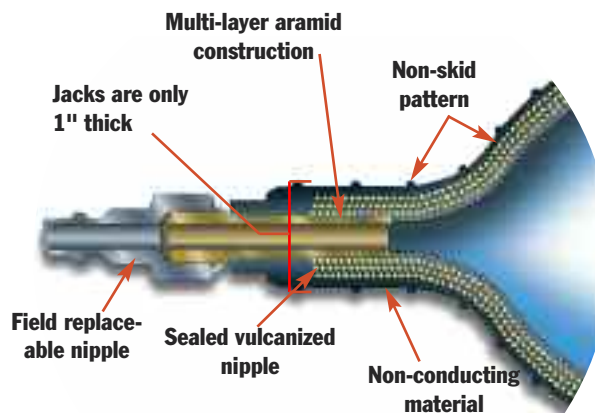
Maximum Effective Lifting Area

All lifting capacities mentioned in the charts are measured at the maximum effective lifting area (A). As the jack is inflated (B), this effective area decreases (C) due to the rounded shape of the jack. Lifting capacity also decreases (see performance chart).



Stack up to two jacks together to increase effective lifting height.

- Field-replaceable nipples are made of tough steel, with internal thread to prevent abrasion damage. Ideal needle aperture of 1/4" allows rapid inflation, without risk of icing, and permits a safe lowering speed.
- Single jack controller with "dead man" control (350090). Can be used individually, or in multiples to regulate any number of jacks desired.
- Heavy attachment straps are provided on 4 largest sizes for attachment of a rope or hook to position the jack from a safe distance.
- Inflation hose system is color-coded (red and yellow) for easy recognition when using more than one jack.





350090*



307159



350208
350209



350207



250343



250353



250682



15235



250341



250342

* NOTE: 350090 air controller may be used individually to control one jack (see single line system), or in multiples to control additional jacks (see dual line system).

No. 307159 – Pressure reducing valve. Allows use of bottled gases to operate jacks (works on CGA-580 Nitrogen/-Argon/Helium bottles). Contains standard bottle fitting on inlet and 1/4" industrial interchange (female) outlet. Wt., 4 lbs.

No. 350090 – Air controller for single jack. Equipped with relief valve and pressure gauge.

No. 350207 – Shut-off hose with shut-off valve and pressure relief valve. Includes a female and male quick coupler.

No. 350208 – Air hose. Red, 30' long. Includes No. 250341 female and No. 250342 male quick coupler.

No. 350209 – Air hose. Same as 350208, except blue in color.

No. 250343 – Female quick coupler. 1/4" industrial interchange x 1/8" NPT female. Wt., 0.1 lb.

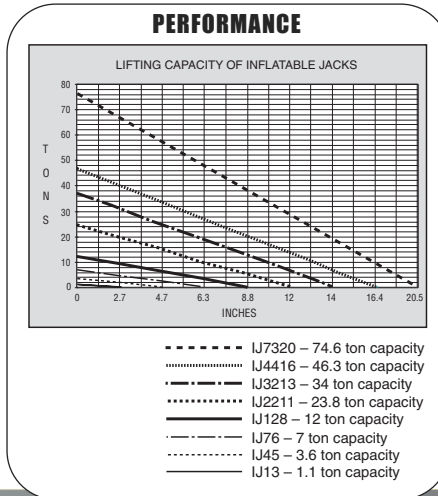
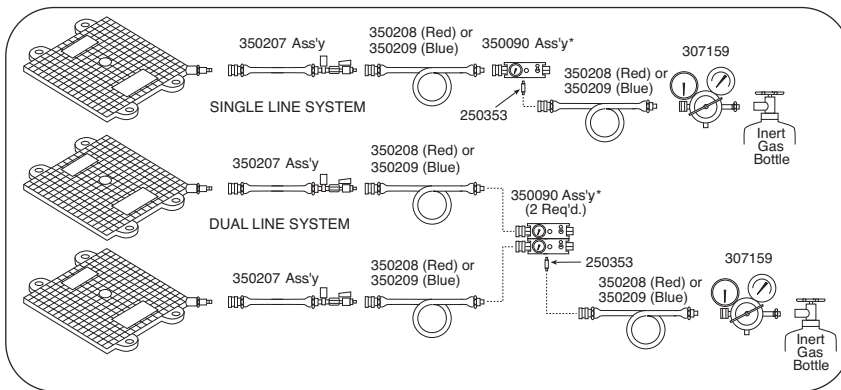
No. 250353 – Male quick coupler. 1/4" industrial interchange x 1/8" NPT male. Wt., 0.1 lb.

No. 250682 – Female quick coupler. 1/4" industrial interchange x 1/4" NPT male. Wt., 0.1 lb.

No. 15235 – Connector 1/8" NPT male x 1/4" NPT female. Wt., 0.1 lb.

No. 250341 – Female quick coupler. 1/4" industrial x 3/8" I.D. hose.

No. 250342 – Male Quick coupler. 3/8" I.D. Hose.



ORDERING INFORMATION*

Lifting Cap. (tons)	Lifting Height (in.)	Order Number	Air Contents at 116 psi (cu. ft.)	Max. Working Pressure (psi)	Length (in.)	Width (in.)	Collapsed Height (in.)	Product Weight (lbs.)
1.1	2 ⁴⁵ / ₆₄	IJ 13	.08	116	5 ¹ / ₂	5 ⁷ / ₆₄	1	1
3.6	4 ⁴⁵ / ₆₄	IJ 45	.50	116	10	7 ²⁹ / ₃₂	1	3
7	6 ¹⁹ / ₆₄	IJ 76	1.48	116	12	12	1	4
12	8 ⁵¹ / ₆₄	IJ 128	3.40	116	15 ⁴⁵ / ₆₄	15 ⁴⁵ / ₆₄	1	8
23.8	12	IJ 2211	9.50	116	21 ⁴⁵ / ₆₄	21 ⁴⁵ / ₆₄	1	16
34	14	IJ 3213	16.40	116	25 ³⁹ / ₆₄	25 ³⁹ / ₆₄	1	22
46.3	16 ¹³ / ₃₂	IJ 4416	25.70	116	29 ⁷ / ₂	29 ⁷ / ₂	1	29
74.6	20 ¹ / ₂	IJ 7320	51.40	116	37 ¹³ / ₃₂	37 ¹³ / ₃₂	1 ¹³ / ₆₄	58

*See current price list for shipping weights.

PORTABLE HIGH TONNAGE JACKS

60-100 Ton
Railroad Edition

- Patented load lowering valve. Lowers load smoothly and safely. Eliminates dangerous chatter and bounce.
- Full range of rod extensions. Jack comes fully equipped with extensions to match lifting pad heights on most rolling stock. Max. lifting height to 70".
- Low collapsed height, long stroke. 24" (61 cm) collapsed height for low-clearance lift pads. 14" (36 cm) stroke for maximum lift.
- Contact factory for lower collapsed heights.
- Adjustable, ergonomic handle. Handle tilts to start the job and is easily locked/unlocked without moving from operating position.
- Cribbing block set with handles and convenient storage rack. Provides solid mechanical load holding.
- High-profile, low rolling resistance, foam-filled tires. Jack can be moved and positioned with minimal effort. No chance of downtime due to punctured tires.
- Electric and air motor options. Quiet, powerful air and electric motor powered units available.
- **Contact factory for custom cribbing block sizes and piston rod extensions.**



POWER UNIT SPECIFICATIONS

Order No.	Motor	Power Req.	Motor Control	Valve Function	Power Cord	dBa @ 10,000 psi
PLE6014	1 $\frac{1}{8}$ HP	25 amps	20'	Lift	Pigtail	80/95
	110/115 VAC***		Remote	Hold		
	50/60 HZ		Control	Lower		
	Single Phase			Manual		
PLA6014	Rotary Air Powered	50 CFM @ 80 PSI	20' Remote Air Control	Lift Hold Lower Manual	NA	82

*** For 220V order PLE6014-220



**Air Model
(PLA6014)**



**Electric Model
(PLE6014)**

ORDER INFORMATION

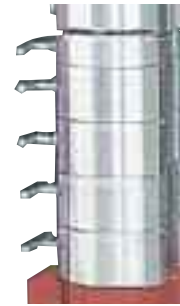
Capacity (Tons)	Stroke (in.)	Order Number	Retracted Height (in.)	Extended Ht. w/Extensions (in.)	Product Wt. Less Cribbing & Ext.
60	14	*PLE6014K	24	70	522
60	14	*PLA6014K	24	70	522
60	14	*PLE6014K-220	24	70	522
100	14	Consult Factory	24	59	522

*Includes cribbing block set stored on jack handle rack, and 7 extensions (1, 2, 3, 4, 5, 10, and 20 inches)

- PLE6014 = Jack, Electric, includes: Cart, Pump & Cylinder**
- PLE6014-220 = Jack, Electric (220 V.)**
- PLA6014 = Jack, Air, includes: Cart, Pump & Cylinder**
- CBS60 = Cribbing Block Set (5 cribbing blocks)**
- PL60EXT = Extension Set (Consists of 7 extensions)**

**CRIBBING BLOCKS
(CBS60, INCLUDED)**

Qty.	Height	Order Number
1	1 1/2"	351954
4	3"	351953



**EXTENSIONS
(PL60 EXT, INCLUDED)**

Extension Length (in.)	Order Number	Extension Weight (lbs.)
1	351931	4.9
2	351927	8.9
3	351928	14.1
4	351929	19.1
5	66053	20.9
10	66054	30.4
20	66055	48.6

LIFTING RANGE

Lifting range (in 1" increments):
24" - 70".

Only 3 extensions are needed
to provide this range.

Do NOT exceed 70" lifting
range on 60-ton unit or 59" on
100-ton unit.



PORTABLE HIGH TONNAGE JACKS

55, 100 & 150 Ton

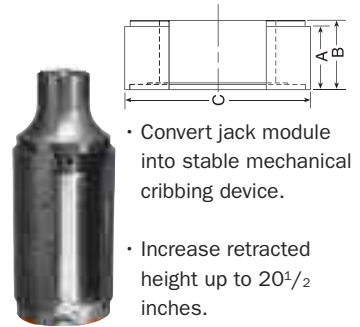
PORTABLE AND COMPACT, IDEAL FOR LOCOMOTIVE/RAILCAR, MINING AND HEAVY EQUIPMENT MAINTENANCE.



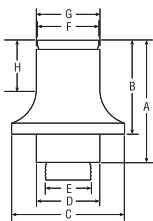
- Modular design - pump and cart separate from cylinder and base.
- Three tonnage capacity options - 55-ton, 100-ton and 150-ton.
- Three collapsed height options - 26", 33" and 45".
- Two standard power options - air (PA55) and electric (PE55).
- Two control options - remote motor control and remote valve/motor control.
- Accessory options - 6⁵/₈" extension, load-holding rings.
- Select the collapsed height to fit your most frequent application - add jacking modules to suit your needs.
- Remote operation for maximum operator safety and control - choose "motor only" or "motor and valve" control in the hand.
- Easy to maneuver - large tires and small "footprint" make it easy to scoot into the tightest quarters, then locate the exact lifting position.
- Adjustable, heavy-duty handle - makes this jack easy to move, position under vehicles. Can also be used to transport jack on site with a forklift.
- Load-holding rings (optional) - provide full rated mechanical load-holding capability.
- Shielded and sheltered hydraulic lines - for safer, longer, trouble-free service.
- Cylinder extension (optional) - adds more versatility by extending your jack's reach.
- Low-temperature oil (optional) - provides smooth, reliable operation in the coldest climate conditions.
- Modular design - allows you to change lifting modules to suit your tonnage or height requirements. Use the pump module as a portable power station for your other double-acting cylinders (10,000 psi).
- Exclusive load-control system - provides positive, chatter-free control when lowering the load.



ORDER INFORMATION										
CRIBBING BLOCK SETS - INCLUDES ONE JACK MODULE EXTENSION										
Order No.‡	55 Ton CBS55		100 Ton CBS100		150 Ton CBS150		200 Ton CBS200		300 Ton	
No. in Set	1	4	1	4	1	4	1	4	Consult Factory	
A	1 ¹ / ₂ "	3"	1 ¹ / ₂ "	3"	1 ¹ / ₂ "	3"	1 ¹ / ₂ "	3"		
B	1 ³ / ₄ "	3 ¹ / ₄ "	1 ³ / ₄ "	3 ¹ / ₄ "	1 ³ / ₄ "	3 ¹ / ₄ "	1 ³ / ₄ "	3 ¹ / ₄ "		
C	5 ¹ / ₂ "	5 ¹ / ₂ "	7 ³ / ₈ "	7 ³ / ₈ "	8 ³ / ₄ "	8 ³ / ₄ "	10"	10"		
Jack Module Ext.	6 ¹³ / ₁₆ "		7"		6 ⁵ / ₈ "		6 ⁵ / ₈ "			
Total Stack Ht.	20 ⁵ / ₁₆ "		20 ¹ / ₂ "		20 ¹ / ₈ "		20 ¹ / ₈ "			
Product Wt. (lbs.)	36		68		85		105			



- Convert jack module into stable mechanical cribbing device.
- Increase retracted height up to 20¹/₂ inches.



ORDER INFORMATION											
JACK MODULE EXTENSIONS											
		A	B	C	D	E	F	G	H	Prod. Wt.	
(tons)	No.	(in.)	(in.)	(in.)	(in.)	(in.)	(in.)	(in.)	(in.)	(lbs.)	
55	58945	8 ¹³ / ₁₆	6 ¹³ / ₁₆	5	2 ⁵ / ₈	1 ¹¹ / ₁₆ -8UN	2 ¹ / ₂	2 ⁵ / ₈	3 ⁵ / ₈	21	
100	58943	9	7	6 ⁷ / ₈	3 ⁷ / ₈	2 ³ / ₄ -12UN	3 ³ / ₄	3 ⁷ / ₈	3 ³ / ₄	40	
150	58944	8 ⁵ / ₈	6 ⁵ / ₈	8	4 ¹ / ₂	3 ¹ / ₄ -8UNC	4 ³ / ₈	4 ¹ / ₂	3 ¹ / ₂	50	

- Increases jack's reach.



Pump & cart modules

Pump and cart modules contain hydraulic pump, cart, remote control and all hoses and fittings required to connect to a jack module. Contact factory on folding handle cart option.

Remote Control

Pump	Motor Only	Motor & Valve
Air	PMA55	PMA55S
Electric	Consult Factory	PME55S

Jack modules

Jack modules easily separate from the pump and cart module.

Tonnage	Cylinder Stroke	Collapsed Height		
		26"	33"	45"
55	13 ¹ / ₈ "	JM25	JM35	JM45
100	13 ¹ / ₈ "	JM210	JM310	JM410
150	18 ¹ / ₈ "	JM215 [†]	JM315	JM415
200	13 ¹ / ₈ "	JM220*	JM320	JM420
300	13 ¹ / ₈ "	JM300*	JM330	JM430

* collapsed height; 28 inches and stroke 13¹/₈ inches.
 † stroke 13¹/₈ inches.



Air pump and cart module.



Electric pump and cart module.



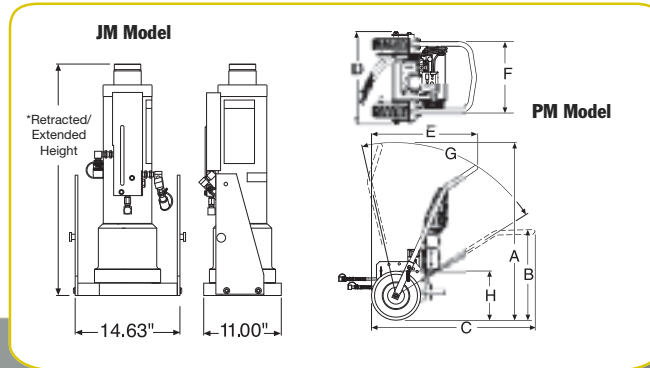
26" Jack Module



33" Jack Module



45" Jack Module



Dimensions

Model Series	A	B	C	D	E	F	G	H
PMA & PME	57 ⁵ / ₈ "	29 ⁵ / ₈ "	53 ¹ / ₄ "	30"	34 ⁵ / ₁₆ "	23 ³ / ₈ "	*70°	16" Tire Dia.

* Total range with varying degree increments.

ORDER INFORMATION – Pump and Cart Modules with Assembled Jack Module

Capacity (tons)	Ret. Height (in.)	Ext. Height (in.)	Stroke (in.)	Pump Type	Power Required	Valve Type	Remote Control	Order No.
55	26	39 ¹ / ₈	13 ¹ / ₈	Electric	25 amps	Manual	M	JEM5526
100	33	46 ¹ / ₈	13 ¹ / ₈	Air	50 CFM @ 80 psi	Manual	M	JAM10033
100	33	46 ¹ / ₈	13 ¹ / ₈	Air	50 CFM @ 80 psi	Air Pilot	M & V	JAR10033
150	26	39 ¹ / ₈	13 ¹ / ₈	Electric	25 amps	Manual	M	JEM15026
150	33	46 ¹ / ₈	13 ¹ / ₈	Air	50 CFM @ 80 psi	Manual	M	JAM15033

