

# HIGH TONNAGE

## RC Series

740 - 1220 Ton

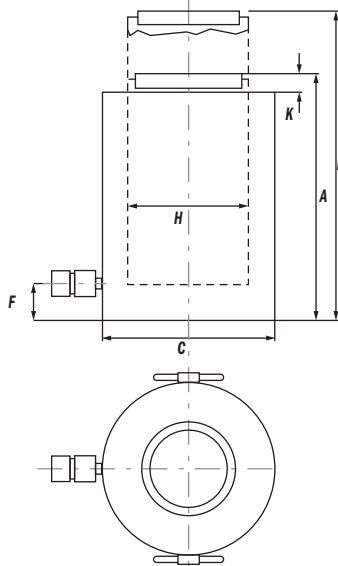
Single-Acting, Load Return

### HIGH-TONNAGE, LOW CYCLE, GRAVITY RETURN.

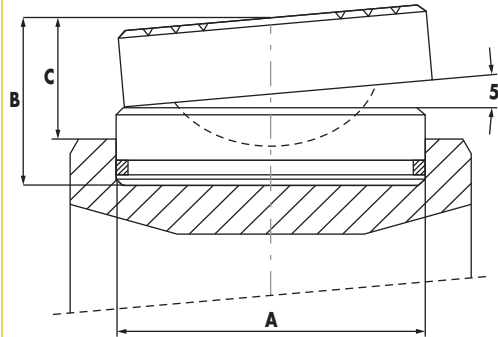
- Overflow port (“weep hole”) prevents piston from being overextended under load.
- Alloy heat treated piston and body for reliability and strength.
- Plated piston rod increases corrosion resistance and gives superior bearing support.



Single-Acting High Tonnage Cylinders



Swivel Cap



Order No.	Used with Cyl. Order No.	A in.	B in.	C in.	Product Wt. lbs.
2000824	RC740*C, RC965*C,	11.4	5.5	3.9	158.7
2000825	RC1220*C	12.7	6.9	4.9	249.1

In mm Cyl. Cap. (tons)	Stroke (in.)	Order No. (Cu. in.)	Oil Cap. (in.)	A Retracted Height (in.)	B Extended Height (in.)	C Outside Dia. (in.)	F Base to Port (in.)	Piston Rod Dia. (in.)	H Piston Rod Protrusion (in.)	K Bore Dia. (in.)	Cyl. Effective Area (cu. in.)	Tons @ 10,000 psi	Product Wt. (lbs.)
740	2.0	RC7402C	293.6	10.4	12.4	16.9	2.6	13.8	0.4	13.8	149.1	742	661
740	6.0	RC7406C	880.7	14.4	20.3	16.9	2.6	13.8	0.4	13.8	149.1	742	917
740	10	RC74010C	1,467.8	18.3	28.1	16.9	2.6	13.8	0.4	13.8	149.1	742	1,168
965	2.0	RC9652C	383.2	11.4	13.4	19.3	2.8	15.7	0.4	15.7	194.8	970	933
965	6.0	RC9656C	1,150.2	15.4	21.3	19.3	2.8	15.7	0.4	15.7	194.8	970	1,272
965	10	RC96510C	1,916.2	19.3	29.1	19.3	2.8	15.7	0.4	15.7	194.8	970	1,598
1220	2.0	RC12202C	485.1	16.3	18.1	21.7	3.1	17.7	0.4	17.7	246.5	1227	1,689
1220	6.0	RC12206C	1,455.8	20.2	26.1	21.7	3.1	17.7	0.4	17.7	246.5	1227	2,116
1220	10	RC122010C	2,452.2	24.4	34.2	21.7	3.1	17.7	0.4	17.7	246.5	1227	2,529