

Ordering Information

Tool Ref	Metric	Required Thread Protrusion	Stroke	Max Load	Hyd Area	Weight
WDD1-M30	M30	63 - 70 mm	7 mm	467 kN	3458 sq.mm	6.70 kg
WDD2-M33	M33	67 - 74 mm	7 mm	569 kN	4215 sq.mm	7.60 kg
WDD3-M36	M36	71 - 80 mm	10 mm	671 kN	4970 sq.mm	9.25 kg
WDD4-M39	M39	72 - 86 mm	10 mm	801 kN	5931 sq.mm	11.10 kg
WDD5-M42	M42	80 - 92 mm	10 mm	926 kN	6856 sq.mm	12.60 kg
WSD1-M30	M30	63 - 81 mm	7 mm	467 kN	3458 sq.mm	6.60 kg
WSD2-M33	M33	67 - 86 mm	7 mm	569 kN	4215 sq.mm	7.60 kg
WSD3-M36	M36	71 - 93 mm	10 mm	671 kN	4970 sq.mm	8.80 kg
WSD4-M39	M39	72 - 95 mm	10 mm	801 kN	5931 sq.mm	11.20 kg
WSD5-M42	M42	80 - 96 mm	10 mm	926 kN	6856 sq.mm	12.20 kg

for twin hydraulic couplings (for multiple tool connection) add 'TC' after part number
for cycle counter option, add 'A' after code (eg. WDD1-M30A, WDD1-M30TCA)

FOR GRADE 75 ksi ALL THREAD FOUNDATION BOLTS

Load Cell	Adaptor Kit**	Bar Size	Stroke	Max Load	Hyd Area	Weight
WSS1	WSS1-10	#10	10 mm	470 kN	3481 sq.mm	5.74 kg
	WSS1-11	#11	10 mm	470 kN	3481 sq.mm	5.85 kg
WSL1	WSL1-10	#10	25 mm	470 kN	3481 sq.mm	9.00 kg
	WSL1-11	#11	25 mm	470 kN	3481 sq.mm	9.20 kg

** for manual nut rotation Adaptor Kit add "M" after part number, for gearbox style nut rotation add "GB"

FOR GRADE 150 ksi ALL THREAD FOUNDATION BOLTS

Load Cell	Adaptor Kit**	Bar Size	Stroke	Max Load	Hyd Area	Weight
WSS2	WSS2-125	1-1/4"	10 mm	760 kN	5630 sq.mm	8.20 kg
	WSS2-138	1-3/8"	10 mm	760 kN	5630 sq.mm	8.30 kg
WSL2	WSL2-125	1-1/4"	25 mm	760 kN	5630 sq.mm	12.30 kg
	WSL2-138	1-3/8"	25 mm	760 kN	5630 sq.mm	12.40 kg

** for manual nut rotation Adaptor Kit add "M" after part number, for gearbox style nut rotation add "GB"

SALES, SERVICE AND RENTAL CENTERS

Center of Excellence UK

Unit 4, Wansbeck Business Park
Rotary Parkway
Ashington
Northumberland NE63 8QW
Tel : +44 (0) 1670 850580
Fax : +44 (0) 1670 850655
info@spxboltingsystems.com

Europe

Albert Thijsstraat 12
6471 WX Eygelshoven
The Netherlands
Tel: 31 (45) 5678877
Fax: 31 (45) 5678878
europe@spxboltingsystems.com

Singapore

7 Gul Circle
Singapore 629563
Singapore
Tel: (65) 6265 3343
Fax: (65) 6265 6646
singapore@spxboltingsystems.com

Australia

Unit 1 / 11, Karratha Street
Welshpool, 6106
Perth, Western Australia
Tel: +61 8 9358 6699
Fax: +61 8 9358 6700
australia@spxboltingsystems.com

Malaysia

Lot 2213, Jalan Piasau Utara 4,
Piasau Industrial Estate,
98000 Miri, Sarawak
Malaysia
Tel: +60 (0)85 660444
Fax: +60 (0)85 661444
malaysia@spxboltingsystems.com

Houston

US office
3030 E. Pasadena Frwy
Pasadena, TX 77503.
Tel: 713.472.2500
Fax: 713.472.2501
houston@spxboltingsystems.com

Shanghai

No. 1568 Hua Shan Road
Treasury Building
11th Floor
Shanghai 200052, China
Tel: 86 (21) 2208.5888
Fax: 86 (21) 2208.5682
china@spxboltingsystems.com

WD/WS

SPX®

WIND TENSIONERS



WIND TENSIONERS

Our tensioners have quality designed in with standard features that enhance durability and efficiency to get the job done faster and safer:

Quality Means Lower Life-Cycle Costs:

- Achieves 90% proof load requirement for ISO 898 Grade 10.9 bolts
- Fully enclosed load cell eliminates debris in piston retraction mechanism
- Auto-Engaging Geared Nut Rotator
- Self-energizing, long life seals

Enhanced Usability:

- Piston Stroke Indicator
- High pressure swivel coupling (optional on WSS & WSL)
- 1350 Bar maximum operating pressure
- Automatic piston retraction mechanism

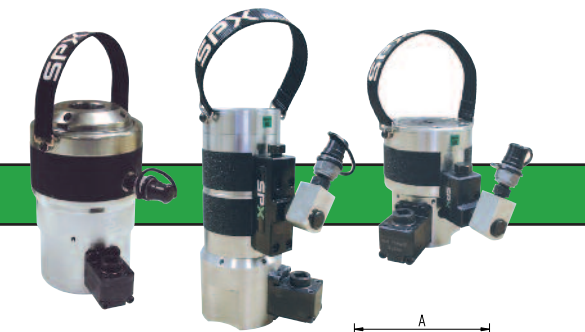
Designed with Safety in Mind:

- Overstroke prevention for safe operation
- Anti-slip grip surface



WIND TENSIONERS

Specifications and Dimensional Data



WDD Series: Up Tower

- Robust Gearbox Drive
- Auto-Engaging Geared Nut Rotator
- Small diameter, high load 2-Stage hydraulic load cell
- Fast application using 1/2" drive
- Cycle counter (optional)



WSD Series: Compact Tower

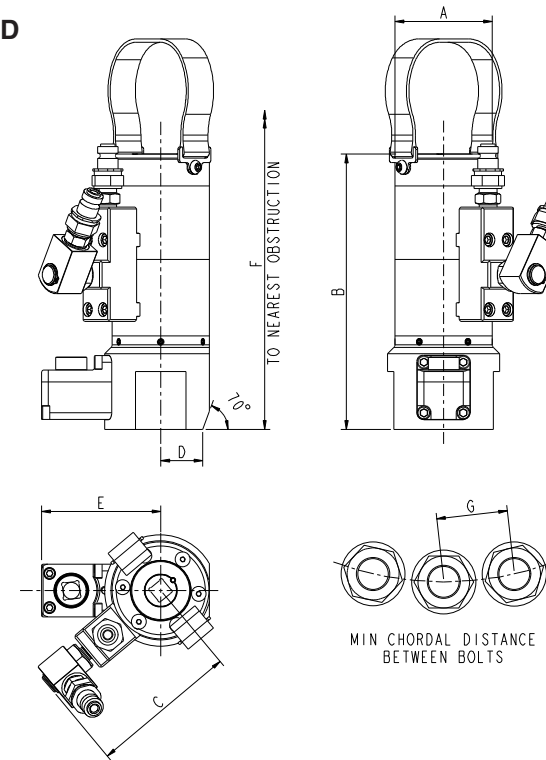
- Robust Gearbox Drive
- Auto-Engaging Geared Nut Rotator
- Low height hydraulic load cell
- Fast application using 1/2" drive
- Cycle counter (optional)



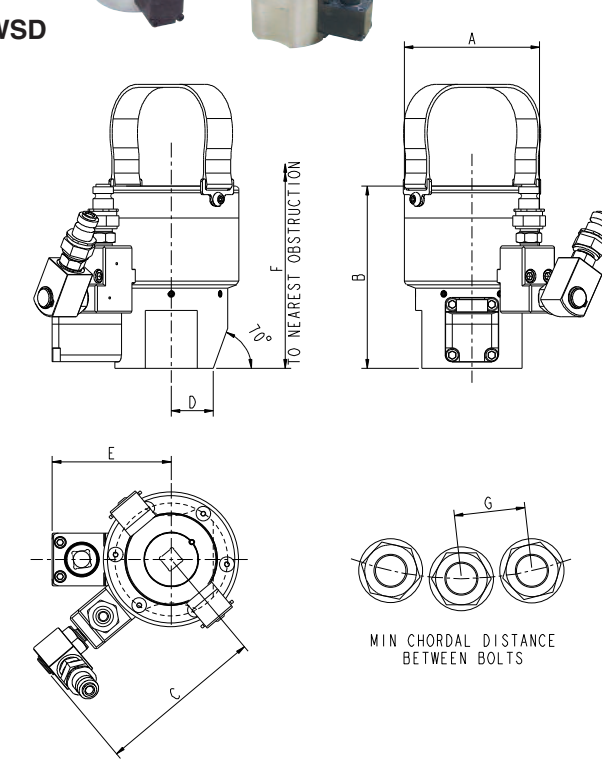
WSS & WSL Series: Foundation

- Suitable for ISO Metric threaded and all-thread bars
- Geared or Manual Nut Rotator
- Long & Short Stroke models
- High pressure swivel coupling (optional)

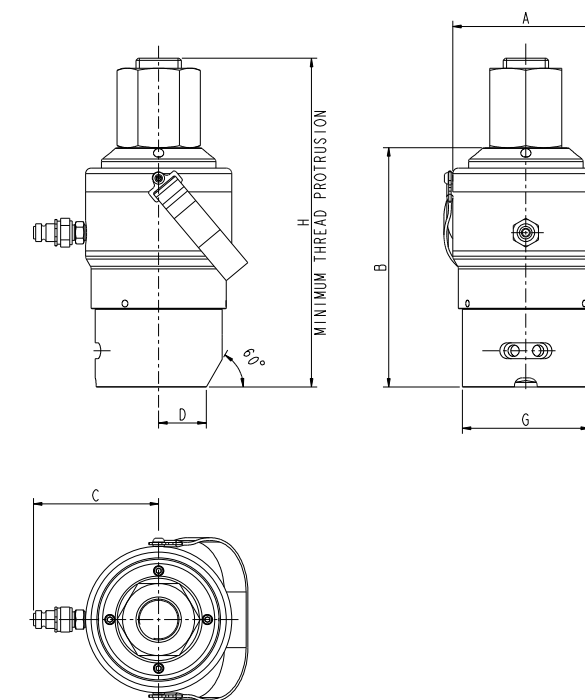
WDD



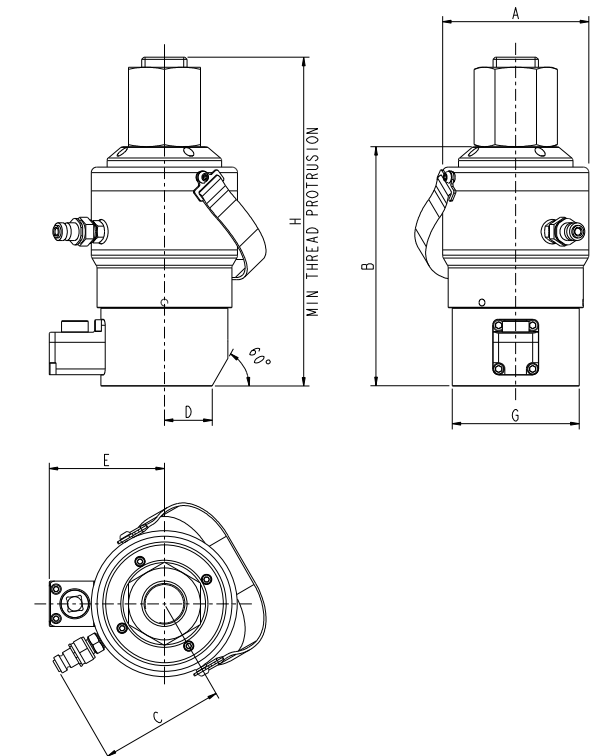
WSD



WSS-WSL Manual Nut Rotation Version



WSS-WSL Gearbox Nut Rotation Version



Tool Ref	A	B	C	D	E	F	G	H
WDD1-M30	74 mm	210 mm	112 mm	37 mm	91 mm	290 mm	64 mm	-
WDD2-M33	79 mm	214 mm	115 mm	39.5 mm	93 mm	298 mm	70 mm	-
WDD3-M36	85 mm	239 mm	117 mm	42.5 mm	96 mm	332 mm	76 mm	-
WDD4-M39	92 mm	249 mm	121 mm	46 mm	99 mm	348 mm	79 mm	-
WDD5-M42	98 mm	255 mm	124 mm	49 mm	102 mm	360 mm	90 mm	-
WSD1-M30	103 mm	138 mm	127 mm	32 mm	91 mm	211 mm	68 mm	-
WSD2-M33	112 mm	140 mm	132 mm	35 mm	93 mm	218 mm	74 mm	-
WSD3-M36	122 mm	149 mm	136 mm	37 mm	96 mm	233 mm	82 mm	-
WSD4-M39	133 mm	153 mm	142 mm	42 mm	99 mm	238 mm	88 mm	-
WSD5-M42	140 mm	157 mm	146 mm	45 mm	102 mm	250 mm	93 mm	-
WSS1/WSS1-10	103 mm	158 mm	98 mm	42 mm	99 mm	-	103 mm	206 mm
WSS1/WSS1-11	103 mm	158 mm	98 mm	42 mm	99 mm	-	103 mm	219 mm
WSL1/WSL1-10	114 mm	205 mm	103 mm	42 mm	99 mm	-	103 mm	255 mm
WSL1/WSL1-11	114 mm	205 mm	103 mm	42 mm	99 mm	-	103 mm	266 mm
WSS2/WSS2-125	119 mm	168 mm	105 mm	42 mm	102 mm	-	112 mm	226 mm
WSS2/WSS2-138	119 mm	168 mm	105 mm	42 mm	102 mm	-	112 mm	238 mm
WSL2/WSL2-125	129 mm	211 mm	110 mm	42 mm	102 mm	-	112 mm	269 mm
WSL2/WSL2-138	129 mm	211 mm	110 mm	42 mm	102 mm	-	112 mm	280 mm