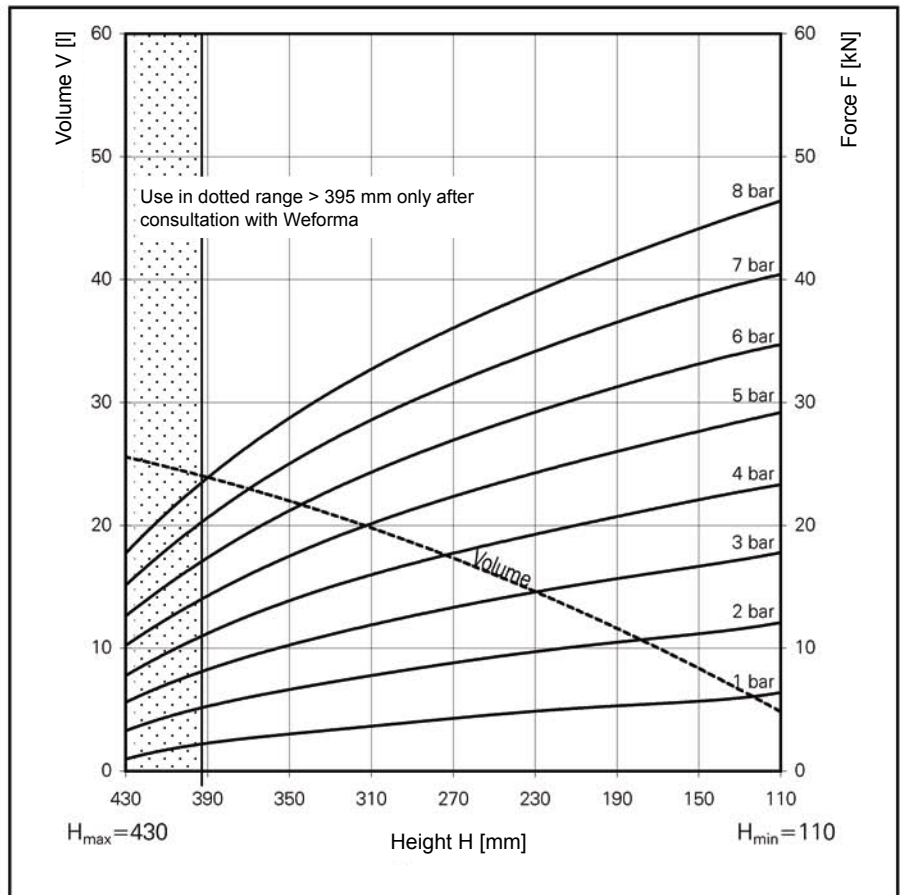
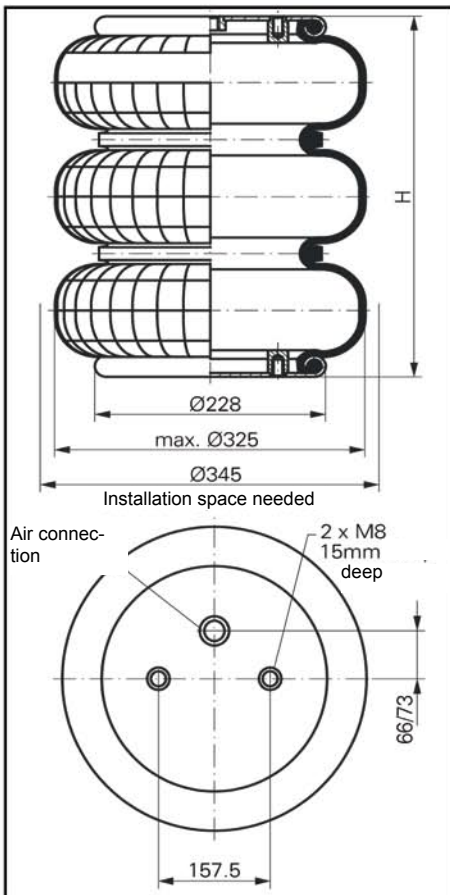


## WBD 500



Force-height diagramm

### Air connection

WBD 500-E1 G1  
WBD 500-E2 G1/4


### Technical data

Min. pressure	0 bar
Return force to min. height	≤ 400 N
Overall weight with clamped plates	5.9 kg

### Pneumatic application - static characteristic values

Force F [kN]

Pressure p [bar]	3	4	5	6	7	8	Vol.[l]	
Height H [mm]	380	8.8	11.9	15.1	18.4	21.7	25.1	23.6
	340	10.7	14.4	18.2	22.0	25.9	29.8	21.6
	300	12.3	16.5	20.8	25.1	29.5	33.7	19.2
	260	13.7	18.2	22.9	27.6	32.3	36.9	16.6
	220	14.8	19.5	24.6	29.6	34.6	39.5	13.8
	180	15.9	21.1	26.5	31.8	37.2	42.4	10.7
	140	17.0	22.4	28.1	33.6	39.1	44.7	7.5

 Service instructions  
M 8 = 25 Nm  
G 1/4 = 25 Nm  
G 1 = 50 Nm