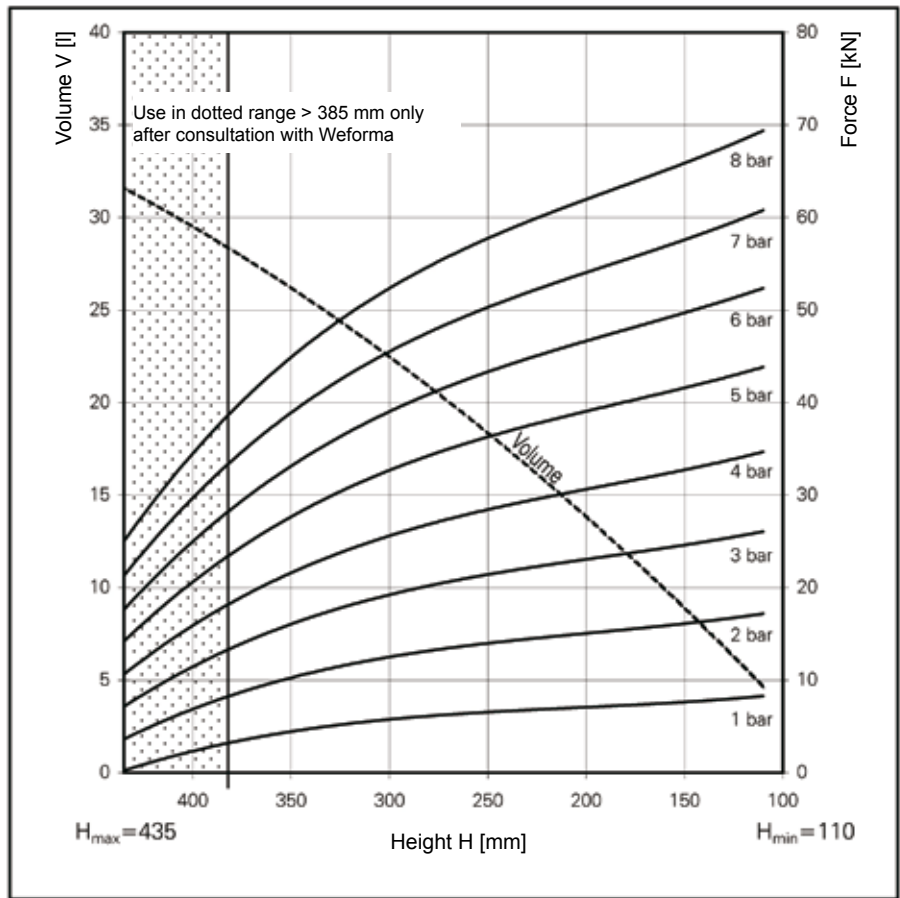
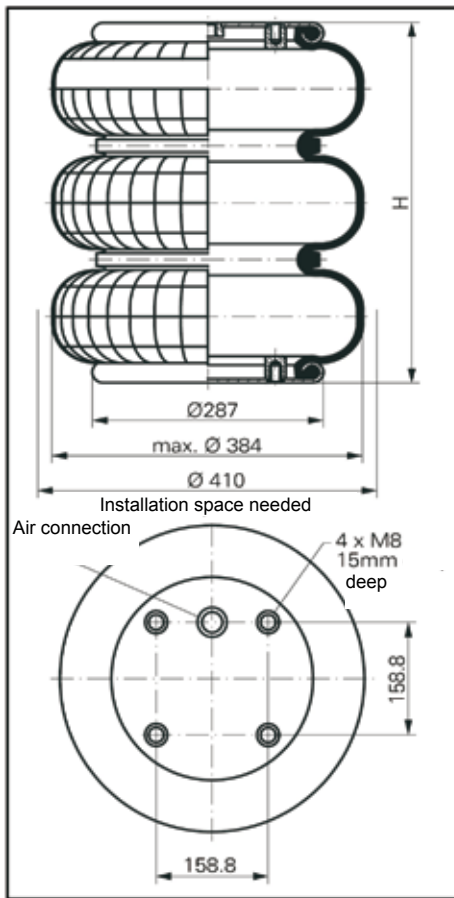


## WBD 600



Force-height diagramm

### Air connection

WBD 600-E1 G 3/4  
WBD 600-E2 G 1/4

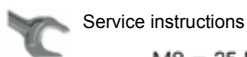
### Technical data

Min. pressure	0 bar
Return force to min. height	$\leq 500$ N
Overall weight with clamped plates	8.0 kg

### Pneumatic application - static characteristic values

Force  $F$  [kN]

Pressure $p$	[bar]	3	4	5	6	7	8	Vol.[l]
Height $H$ [mm]	360	15.4	20.8	26.6	32.0	37.3	43.2	26.8
	320	18.1	24.1	30.9	37.0	43.1	49.5	24.0
	280	20.2	26.7	34.1	40.8	47.6	54.6	20.9
	240	21.7	28.9	36.9	44.1	51.1	58.8	17.5
	200	23.1	30.6	39.0	46.6	54.0	62.0	14.0
	160	24.4	32.3	41.2	49.1	57.0	65.1	10.0
	120	25.7	34.2	43.4	51.7	60.0	68.5	5.5



Service instructions

M8 = 25 Nm  
G 1/4 = 25 Nm  
G 1 = 50 Nm