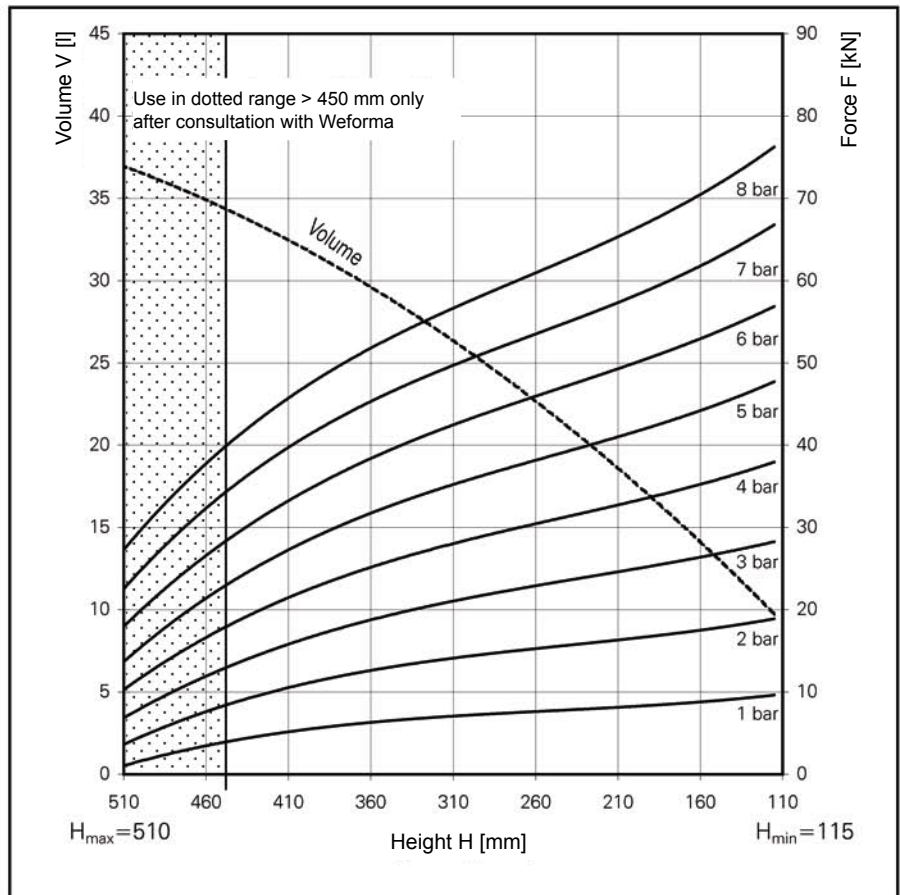
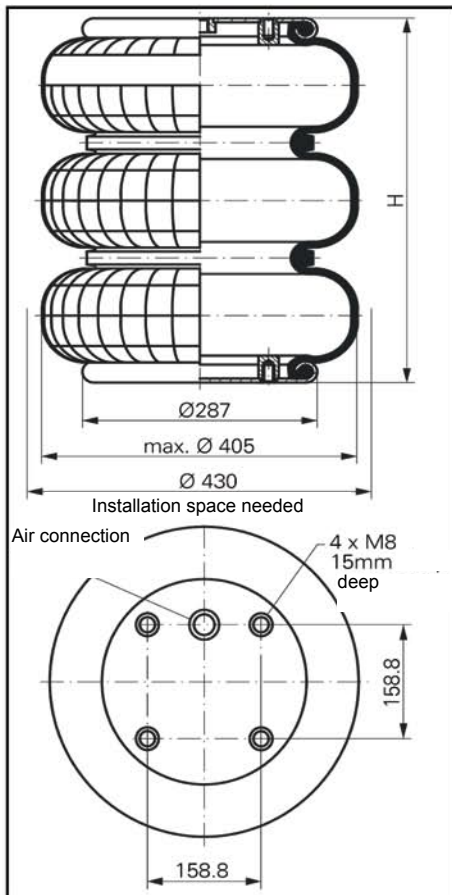


WBD 700



Force-height diagramm

Air connection

WBD 700-E1 G1
WBD 700-E2 G1/4

Technical data

Min. pressure	0 bar
Return force to min. height	≤ 500 N
Overall weight with clamped plates	9.5 kg

Pneumatic application - static characteristic values

Force F [kN]

Pressure p	[bar]	3	4	5	6	7	8	Vol.[l]
Height H [mm]	380	17.7	23.8	30.0	36.4	42.9	49.1	31.0
	300	21.3	28.4	36.1	43.4	50.7	58.0	25.4
	220	24.3	32.3	40.4	48.5	56.6	64.6	19.4
	140	27.3	36.3	45.4	54.5	63.4	72.0	12.4



Service instructions

M8 = 25 Nm
G 1/4 = 25 Nm
G 1 = 50 Nm