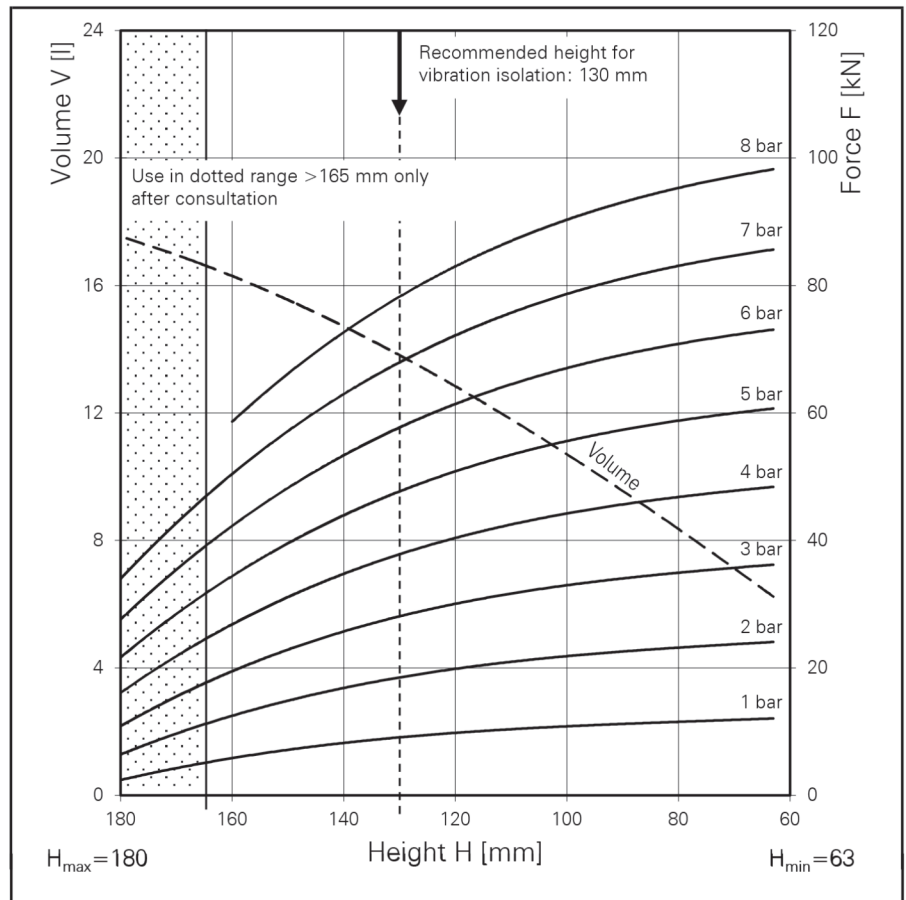
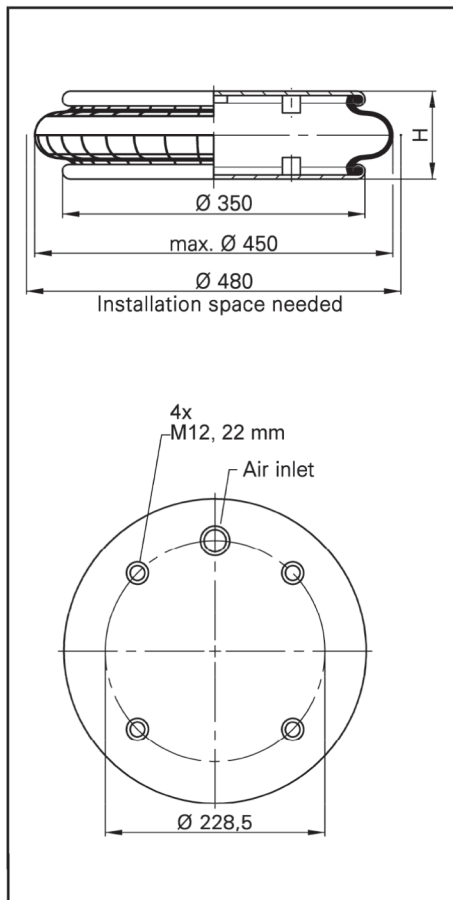


## WBE 730



Force-height diagram

Min. pressure	0 bar
Return force to min. height	≤ 50 N
Overall weight with clamped plates	12,5 kg

### Vibration isolation - dynamic characteristic values

Design height H: recommended 130mm, minimum 115mm

Pressure p	[bar]	3	4	5	6	7	8	Vol V [l]
Force (Load)	[kN]	28.6	38.3	47.8	57.5	67.2	76.6	
Spring rate	[N/cm]	5810	7405	8915	10350	11860	13295	
Natural frequency	[Hz]	2.3	2.2	2.2	2.1	2.1	2.1	

### Pneumatic application - static characteristic values

Force F [kN]

Pressure p	[bar]	3	4	5	6	7	8	Vol.[l]
Height H [mm]	160	19.6	26.9	34.5	42.3	50.4	58.6	16.3
	140	25.7	34.8	44.0	53.4	63.0	72.7	14.7
	120	30.0	40.3	50.8	61.3	72.1	82.9	12.8
	100	33.0	44.3	55.6	67.1	78.7	90.4	10.7
	80	35.0	46.9	58.8	70.9	83.1	95.3	8.4



Service instructions

M12 = 75 Nm

G 3/4 = 50 Nm

Measuring procedure: Room temperature / Force- height- data quasistatic / Dynamic data at 1 Hz