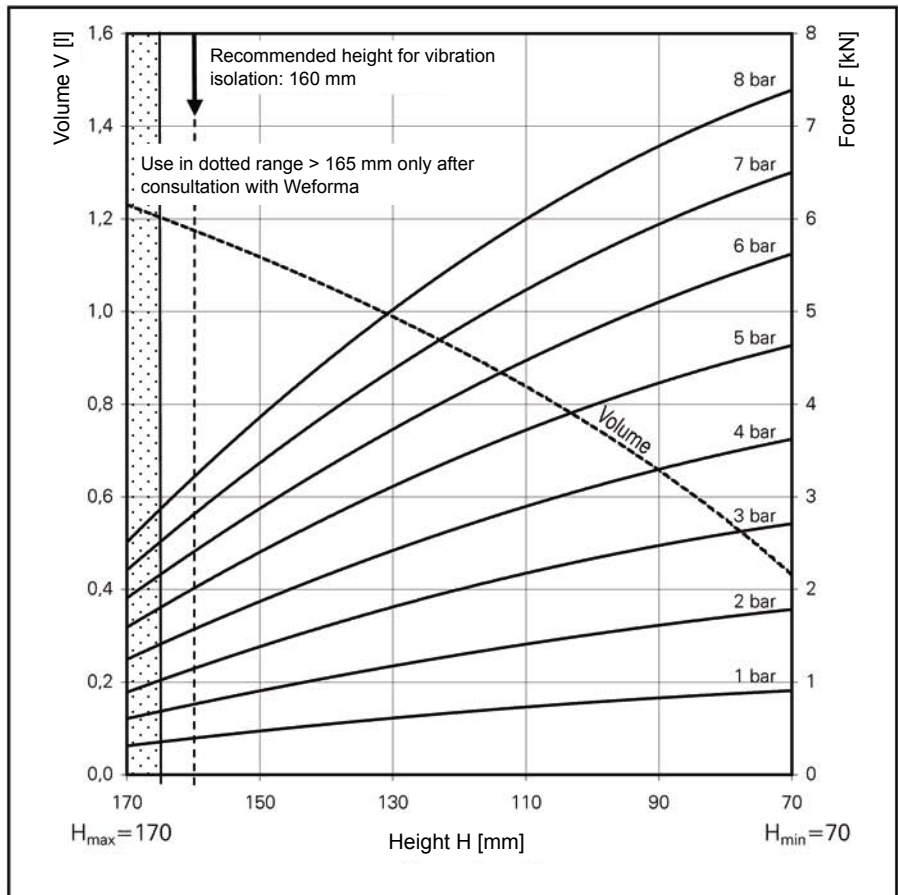
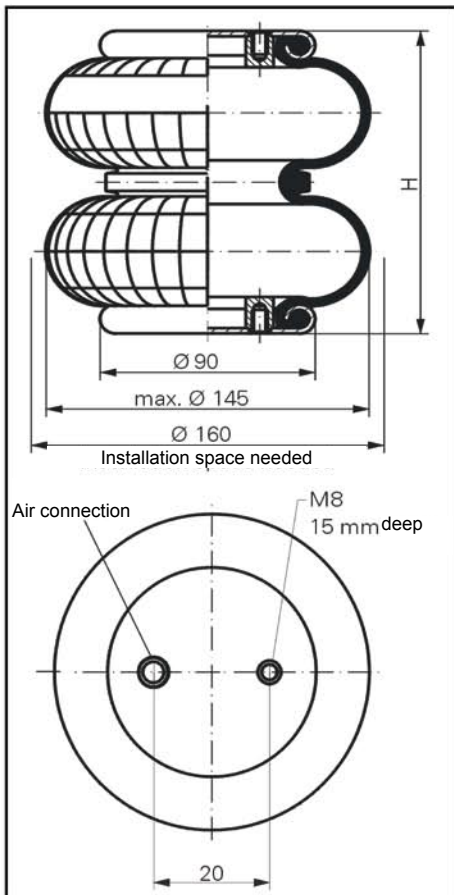


WBZ 100



Force-height diagramm

Air connection

WBZ 100-E1 G1/8

Technical data

Min. pressure	0 bar
Return force to min. height	≤ 200 N
Overall weight with clamped plates	1.1 kg

Vibration isolation - dynamic characteristic values


Design height recommended 160mm, minimum 150mm

Pressure p [bar]	3	4	5	6	7	8	Vol.[l]
Force (Load) [kN]	1.1	1.5	2.0	2.4	2.8	3.2	1.2
Spring rate c [N/cm]	340	450	580	700	825	950	
Natural frequenz f0 [Hz]	2.8	2,8	2.7	2.7	2.7	2.7	

Pneumatic application - static characteristic values

Force F [kN]

Pressure p [bar]	3	4	5	6	7	8	Vol.[l]	
Height H [mm]	160	1.1	1.6	2.0	2.4	2.8	3.2	1.2
	140	1.6	2.2	2.8	3.3	3.9	4.5	1.1
	120	2.0	2.7	3.4	4.1	4.8	5.5	0.9
	100	2.3	3.1	4.0	4.8	5.6	6.4	0.7
	80	2.6	3.5	4.5	5.4	6.3	7.1	0.6

 Service instructions
M8 = 25 Nm
G 1/8 = 25 Nm