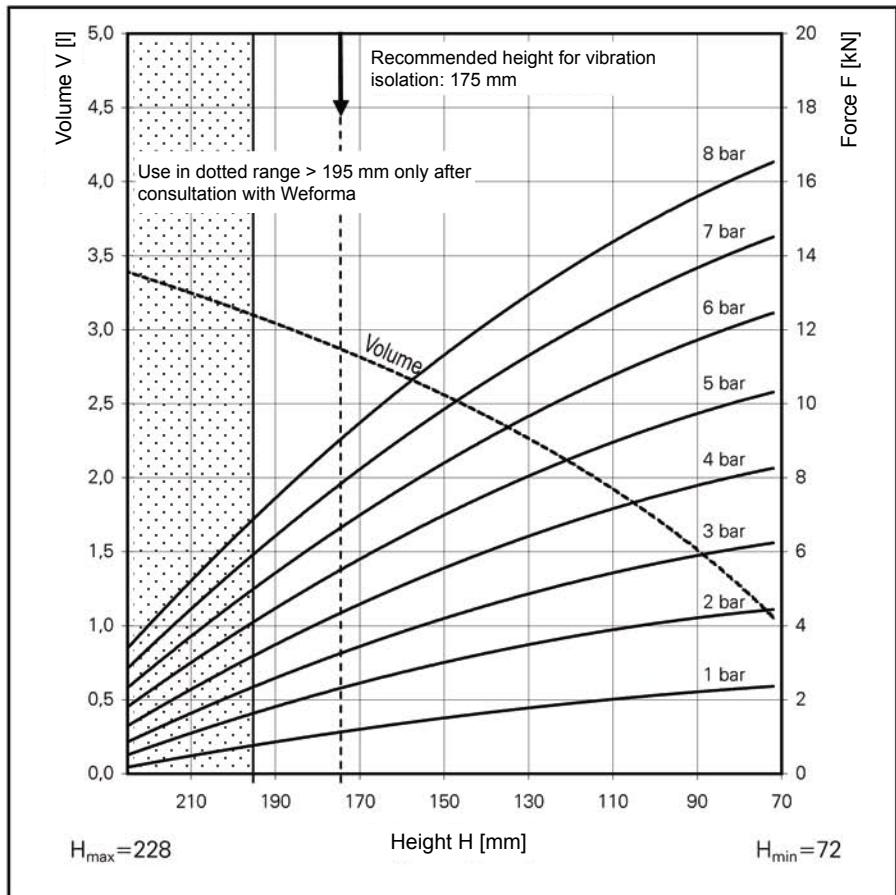
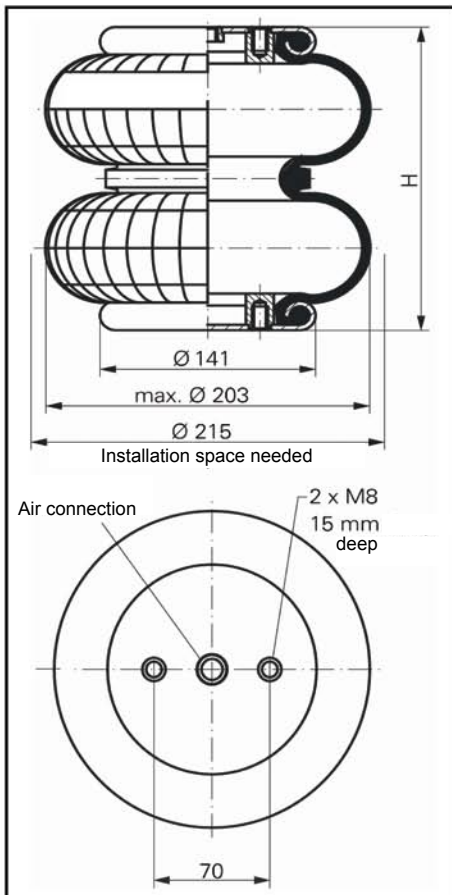


WBZ 250



Force-height diagramm

Air connection

WBZ 250-E2 G1/4
WBZ 250-E1 G3/4

Technical data

Min. pressure	0 bar
Return force to min. height	≤ 200 N
Overall weight with clamped plates	2.1 kg

Vibration isolation - dynamic characteristic values

Design height recommended 175mm, minimum 155mm

Pressure p	[bar]	3	4	5	6	7	8	Vol.[l]
Force (Load)	[kN]	3.3	4.5	5.6	6.8	8.0	9.2	2.9
Spring rate c	[N/cm]	675	890	1110	1300	1470	1675	
Natural frequenz f ₀	[Hz]	2.3	2.2	2.2	2.2	2.1	2.1	

Pneumatic application - static characteristic values

Force F [kN]

Pressure p	[bar]	3	4	5	6	7	8	Vol.[l]
Height H [mm]	180	3.1	4.1	5.2	6.3	7.4	8.6	2.9
	160	3.9	5.1	6.5	7.8	9.1	10.5	2.7
	140	4.5	6.0	7.5	9.0	10.6	12.2	2.4
	120	5.0	6.7	8.4	10.1	11.8	13.6	2.1
	100	5.6	7.4	9.3	11.2	13.1	15.0	1.7
	80	6.1	8.1	10.1	12.2	14.2	16.2	1.3



Service instructions

M8 = 25 Nm
G 1/4 = 25 Nm
G 3/4 = 50 Nm