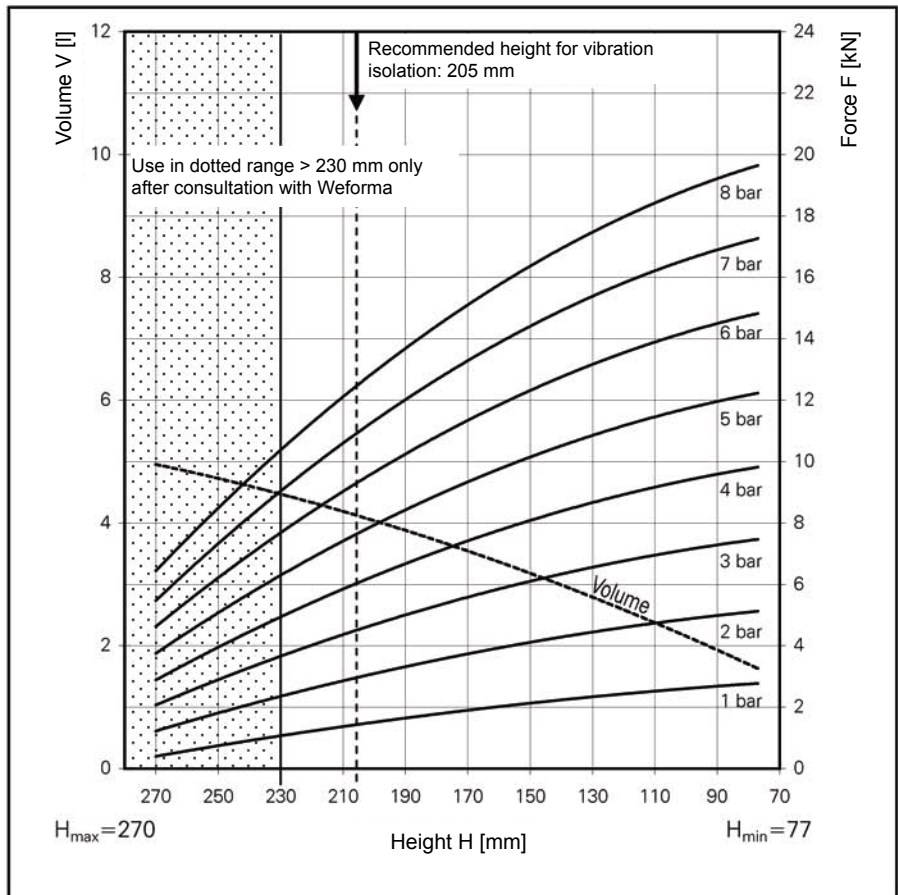
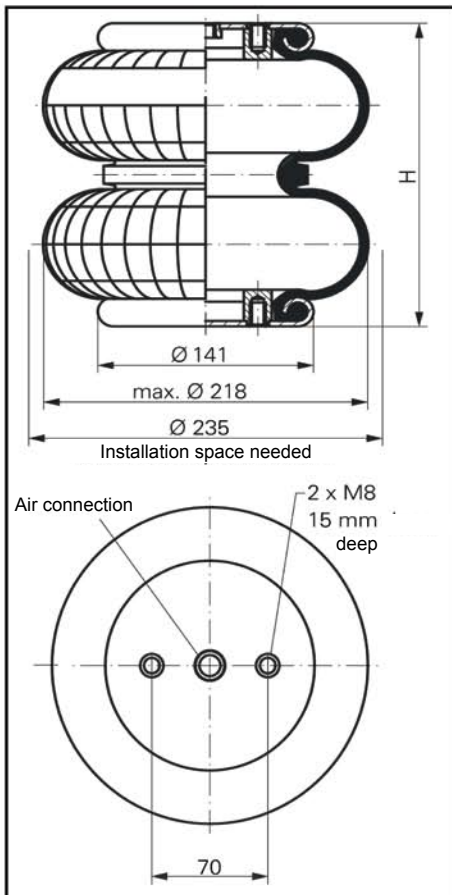


## WBZ 320



Force-height diagramm

### Air connection

WBZ 320-E1

G3/4

### Technical data

Min. pressure	0 bar
Return force to min. height	≤ 200 N
Overall weight with clamped plates	2.3 kg

### Vibration isolation - dynamic characteristic values

Design height recommended 205mm, minimum 190mm

Pressure p [bar]	3	4	5	6	7	8	Vol V [l]
Force (Load) [kN]	4.6	6.2	7.8	9.4	11.1	12.7	4.1
Spring rate c [N/cm]	650	840	1030	1200	1390	1541	
Natural frequenz f0 [Hz]	1.9	1.8	1.8	1.8	1.8	1.7	

### Pneumatic application - static characteristic values

Force F [kN]

Pressure p [bar]	3	4	5	6	7	8	Vol. [l]	
Height H [mm]	200	4.7	6.2	7.9	9.6	11.2	12.9	4.1
	160	5.8	7.8	9.8	11.9	13.9	15.8	3.4
	120	6.8	9.0	11.3	13.7	16.0	18.0	2.6
	80	7.3	9.7	12.1	14.7	17.1	19.5	1.7



Service instructions

M 8 = 25 Nm

G 1/4 = 25 Nm