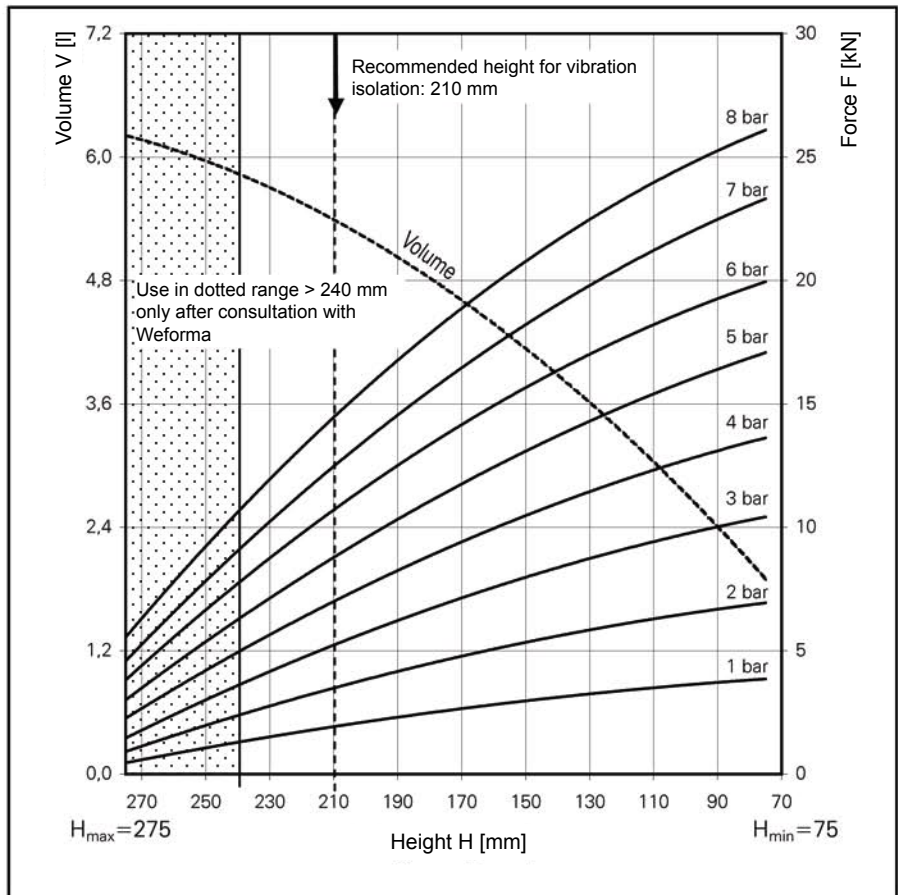
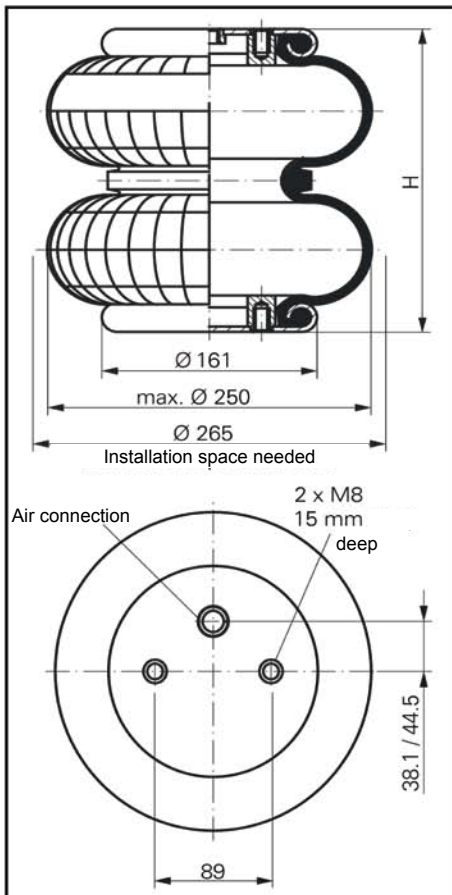


## WBZ 400



Force-height diagramm

### Air connection

WBZ 400-E1 G3/4  
WBZ 400-E2 G1/4

### Technical data

Min. pressure	0 bar
Return force to min. height	≤ 200 N
Overall weight with clamped plates	3.0 kg

### Vibration isolation - dynamic characteristic values

Design height recommended 210mm, minimum 195mm

Pressure p [bar]	3	4	5	6	7	8	Vol. V [l]
Force (Load) [kN]	5.2	7.1	9.0	10.7	12.4	14.5	5.2
Spring rate c [N/cm]	795	1030	1265	1500	1735	1970	
Natural frequenz f0 [Hz]	2.0	1.9	1.9	1.9	1.9	1.9	

### Pneumatic application - static characteristic values

Force F [kN]

Pressure p [bar]	3	4	5	6	7	8	Vol.[l]	
Height H [mm]	230	4.1	5.6	7.2	8.8	10.1	12.0	5.8
	200	5.7	7.7	9.6	11.6	13.5	15.6	5.3
	170	7.2	9.4	11.7	14.2	16.5	18.9	4.6
	140	8.4	10.9	13.7	16.4	19.0	21.5	3.9
	110	9.4	12.4	15.4	18.3	21.3	24.1	3.0
	80	10.3	13.4	16.9	19.7	23.0	25.8	2.1



Service instructions

M8 = 25 Nm  
G 1/4 = 25 Nm  
G 3/4 = 50 Nm