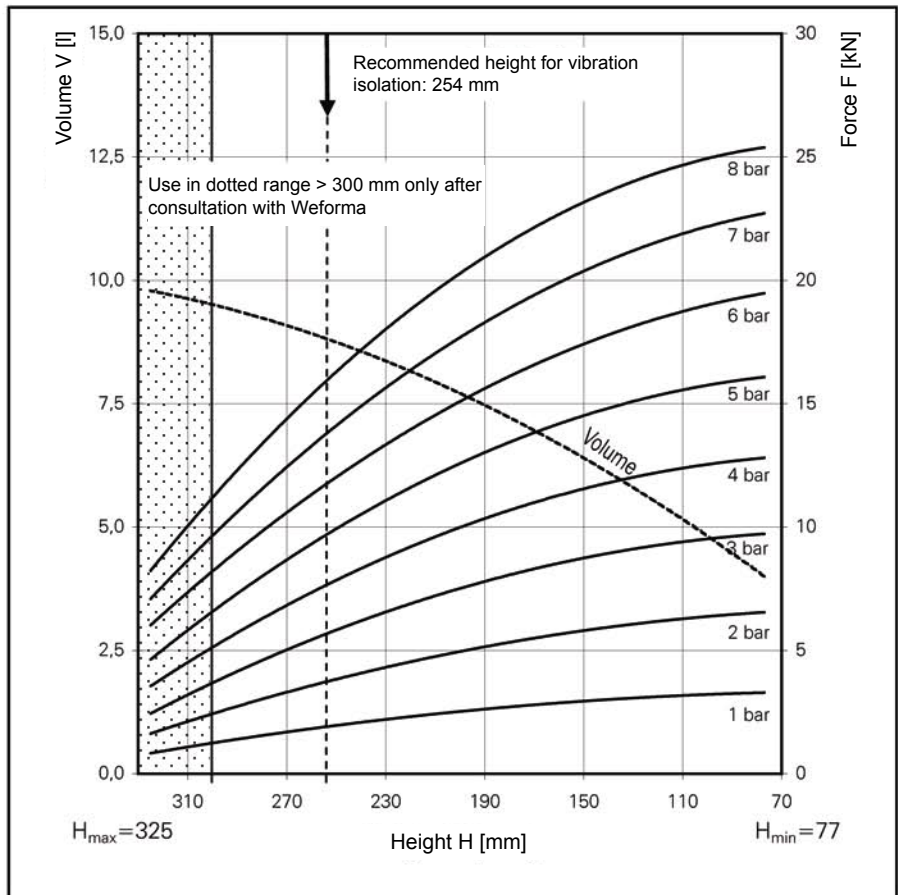
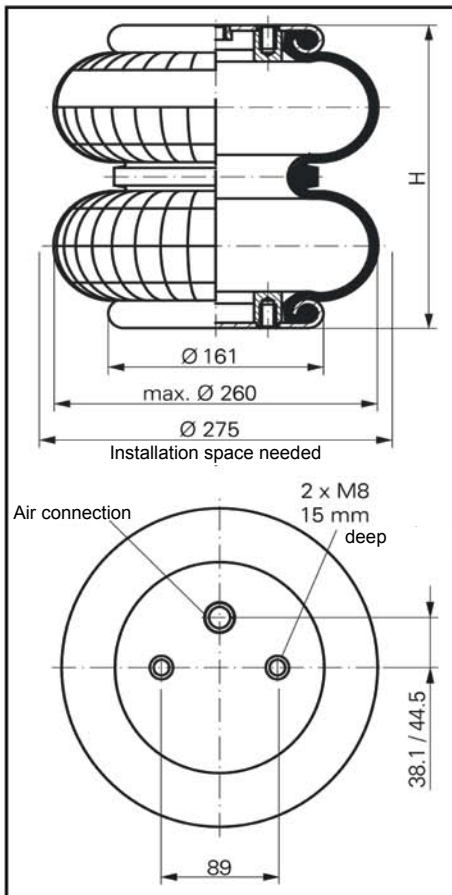


WBZ 430



Force-height diagramm

Air connection

WBZ 430-E1 G3/4
WBZ 430-E2 G1/4

Technical data

Min. pressure	0 bar
Return force to min. height	≤ 250 N
Overall weight with clamped plates	3.5 kg

Vibration isolation - dynamic characteristic values

Design height recommended 254mm, minimum 230mm

Pressure p [bar]	3	4	5	6	7	8	Vol. V[l]
Force (Load) [kN]	6.0	8.1	10.2	12.3	14.4	16.5	8.6
Spring rate c [N/cm]	730	930	1200	1390	1660	1840	
Natural frequenz f0 [Hz]	1.8	1.8	1.7	1.7	1.7	1.7	

Pneumatic application - static characteristic values

Force F [kN]

Pressure p [bar]	3	4	5	6	7	8	Vol.[l]	
Height H [mm]	290	4.1	5.6	7.3	9.0	10.5	12.4	9.4
	260	5.6	7.3	9.4	11.3	13.4	15.4	8.9
	230	6.6	8.8	11.1	13.4	15.8	18.1	8.4
	200	7.5	9.9	12.5	15.0	17.6	20.2	7.7
	170	8.3	11.0	13.8	16.6	19.4	22.2	7.0
	140	8.9	11.8	14.8	17.7	20.7	23.6	6.1
	110	9.3	12.3	15.6	18.7	21.9	24.6	5.1



Service instructions

M 8 = 25 Nm
G 1/4 = 25 Nm
G 3/4 = 50 Nm