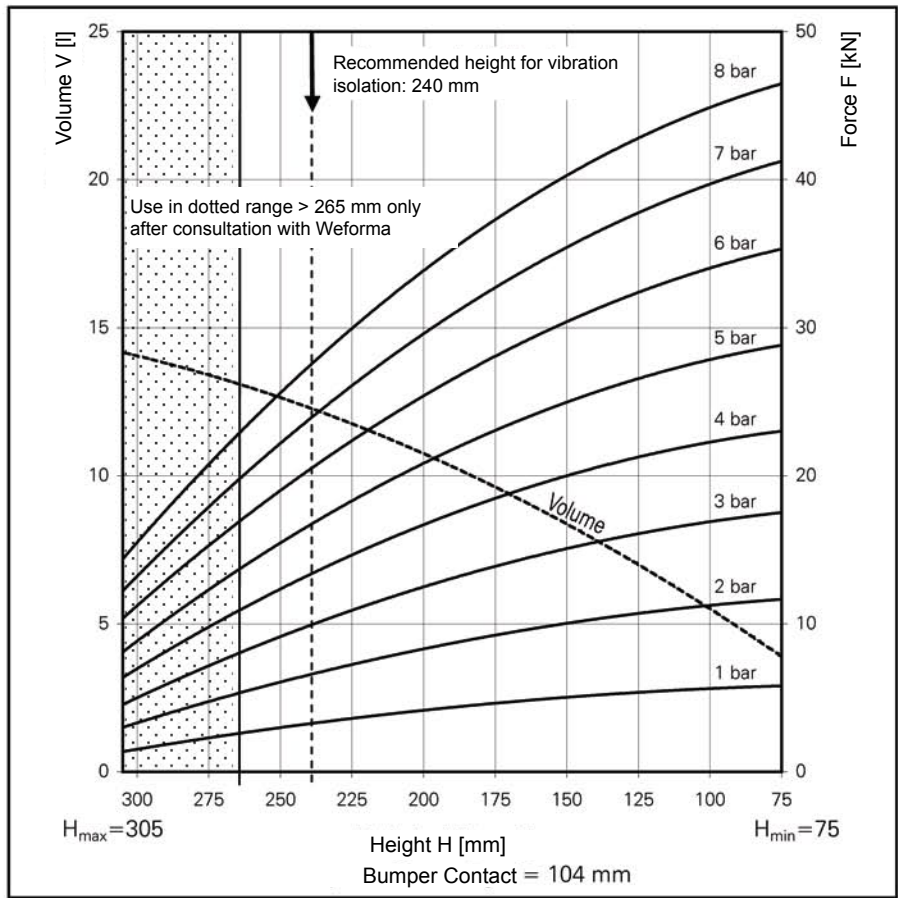
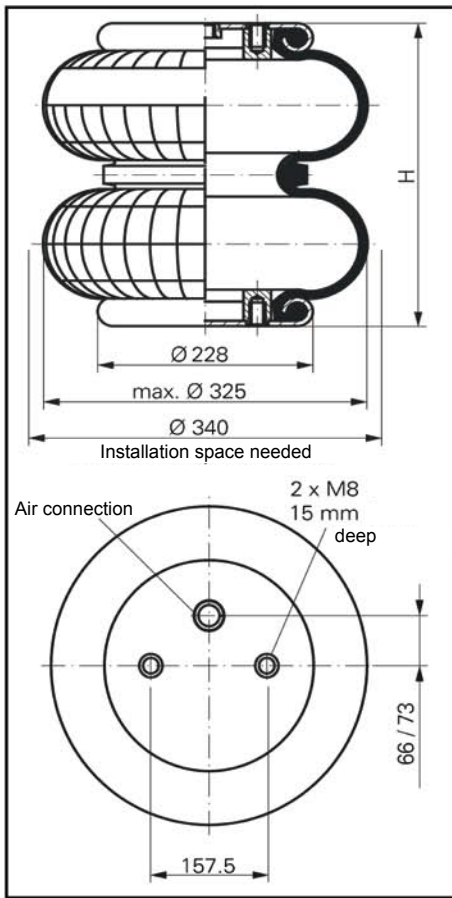


WBZ 500



Force-height diagramm

Air connection

WBZ 500-E1 G1
WBZ 500-E2 G1/4

Technical data

Min. pressure	0 bar
Return force to min. height	≤ 300 N
Overall weight with clamped plates	4.8 kg

Vibration isolation - dynamic characteristic values


Design height recommended 240mm, minimum 220mm

Pressure p [bar]	3	4	5	6	7	8	Vol V[l]
Force (Load) [kN]	10.0	13.3	16.7	20.6	24.1	27.6	12.0
Spring rate c [N/cm]	1590	1900	2210	2520	2830	3140	
Natural frequenz f0 [Hz]	2.0	1.9	1.8	1.8	1.7	1.7	

Pneumatic application - static characteristic values

Force F [kN]

Pressure p [bar]	3	4	5	6	7	8	Vol.[l]	
Height H [mm]	240	10.0	13.3	16.7	20.6	24.1	27.6	12.3
	220	11.3	15.2	18.9	23.1	26.9	30.8	11.6
	200	12.5	16.7	20.8	25.3	29.5	33.8	10.8
	180	13.6	18.2	22.7	27.5	32.0	36.5	9.9
	160	14.6	19.4	24.3	29.5	34.3	39.1	8.9
	140	15.4	20.5	25.5	31.1	36.3	41.3	7.8
	120	16.3	21.4	26.7	32.7	38.2	43.4	6.7
	100	16.8	22.1	27.8	34.1	39.8	45.0	5.5

 Service instructions
M 8 = 25 Nm
G 1/4 = 25 Nm
G 3/4 = 50 Nm