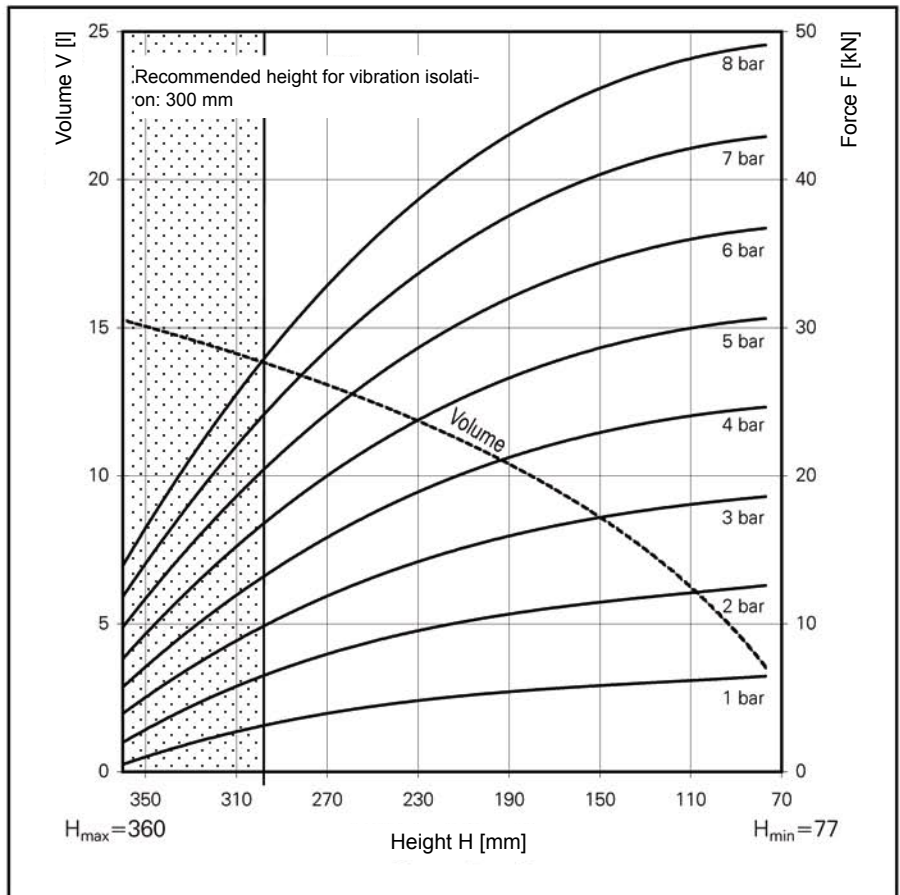
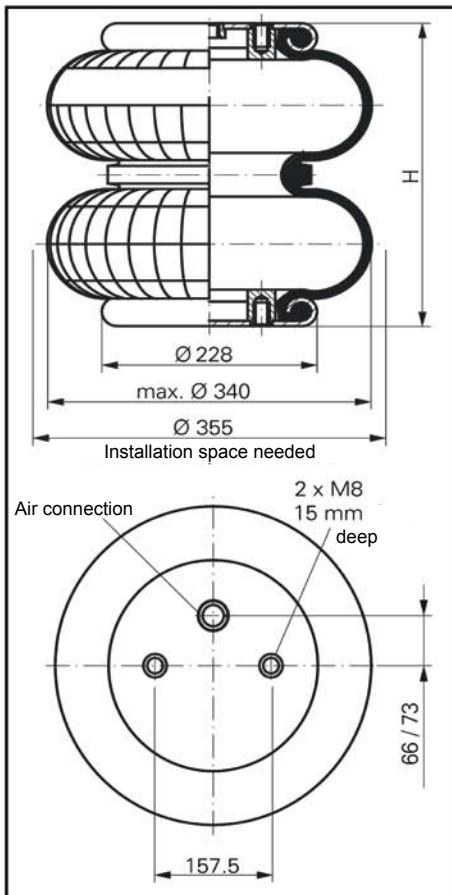


WBZ 520



Force-height diagramm

Air connection

WBZ 520-E1 G1
WBZ 520-E2 G1/4

Technical data

Min. pressure	0 bar
Return force to min. height	≤ 300 N
Overall weight with clamped plates	5.1 kg

Pneumatic application - static characteristic values

Force F [kN]

Pressure p	[bar]	3	4	5	6	7	8	Vol.[l]
Height H [mm]	300	9.8	13.1	16.7	20.3	24.0	27.7	14.0
	260	12.5	16.7	21.0	25.4	29.9	34.5	13.0
	220	14.6	19.4	24.4	29.4	34.5	39.6	11.6
	180	16.2	21.6	27.0	32.5	38.2	43.8	9.9
	140	17.6	23.4	29.3	35.2	41.3	47.2	7.8
	100	18.3	24.4	30.3	36.3	42.4	48.5	5.5



Service instructions

M8 = 25 Nm
G 1 = 50 Nm
G 1/4 = 25 Nm