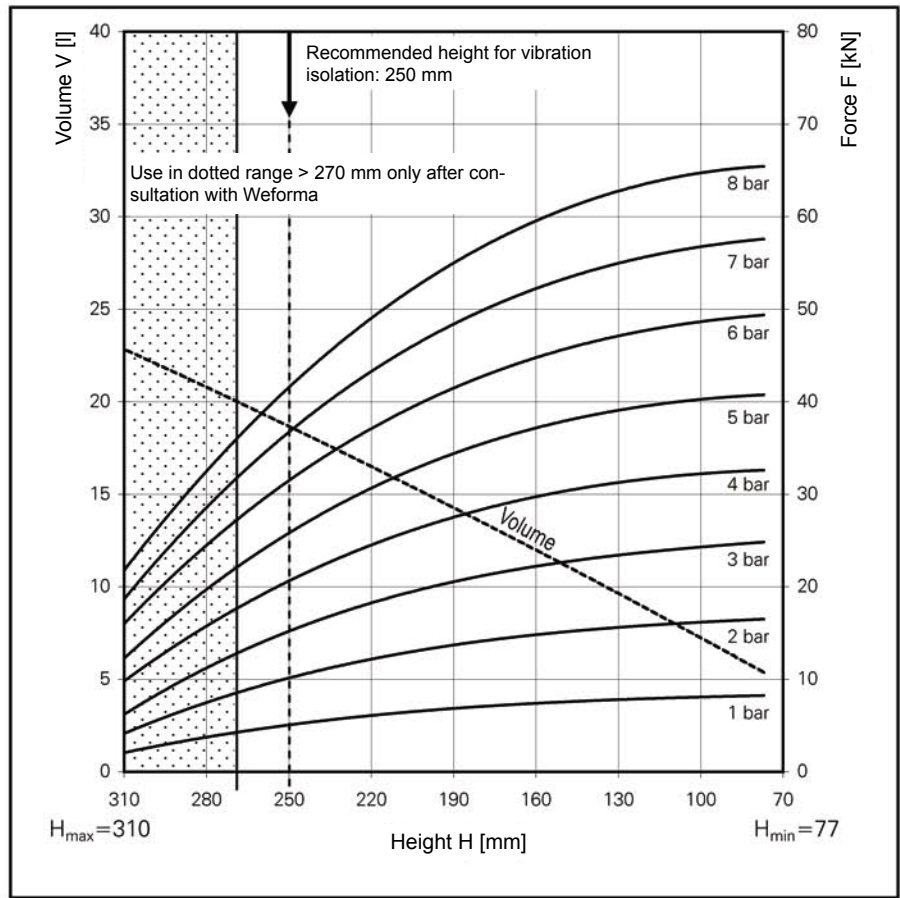
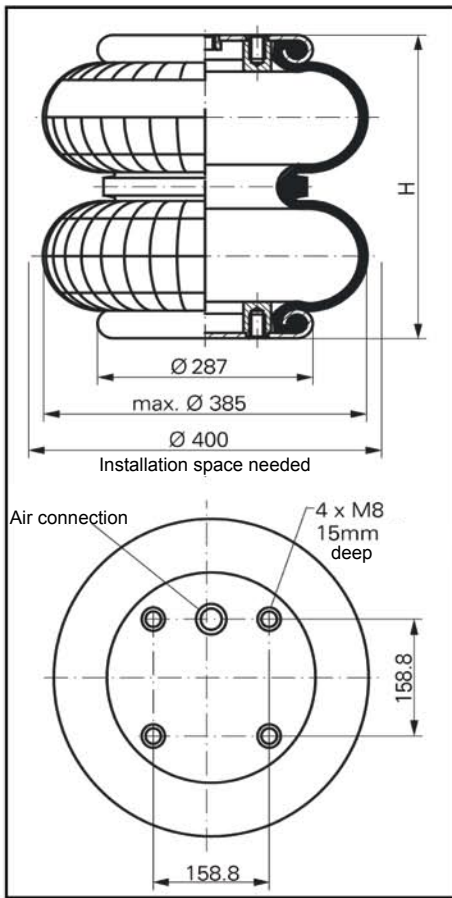


WBZ 600



Force-height diagramm

Air connection

WBZ 600-E1 G1
WBZ 600-E2 G1/4

Technical data

Min. pressure	0 bar
Return force to min. height	≤ 400 N
Overall weight with clamped plates	6.9 kg

Vibration isolation - dynamic characteristic values

Design height recommended 250mm, minimum 225mm

Pressure p [bar]	3	4	5	6	7	8	Vol V [l]
Force (Load) [kN]	15.2	20.7	25.8	31.5	36.8	42.0	18.7
Spring rate c [N/cm]	2225	2860	3495	4130	4765	5400	
Natural frequenz f0 [Hz]	1.9	1.8	1.8	1.8	1.8	1.7	

Pneumatic application - static characteristic values

Force F [kN]

Pressure p [bar]	3	4	5	6	7	8	Vol. [l]
Height H [mm]	240	22.1	27.6	33.5	39.1	44.6	17.8
	220	18.2	24.4	30.5	37.0	43.2	16.5
	200	19.6	26.4	33.1	39.8	46.5	15.0
	180	21.0	28.2	35.3	42.6	49.7	13.6
	160	22.3	29.8	37.2	44.9	52.4	12.0
	140	23.1	31.0	38.7	46.5	54.3	10.5
	120	23.9	31.7	39.6	47.7	55.7	8.8
	100	24.4	32.3	40.4	48.7	56.8	7.2



Service instructions

M8 = 25 Nm
G 1/4 = 25 Nm
G 1 = 50 Nm