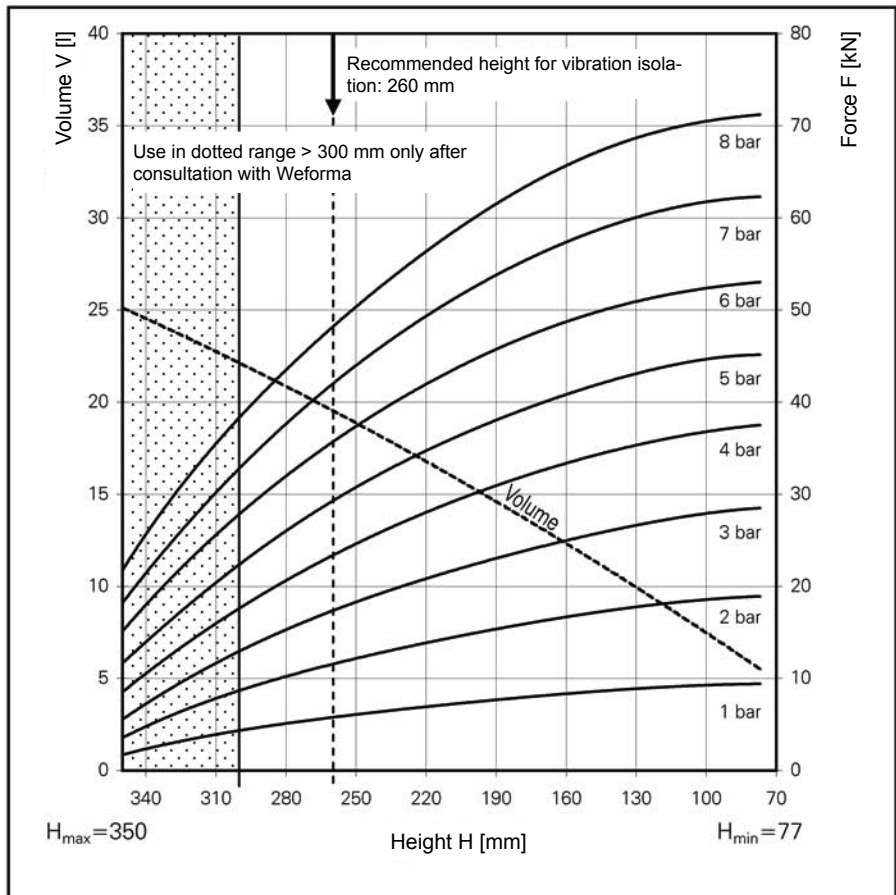
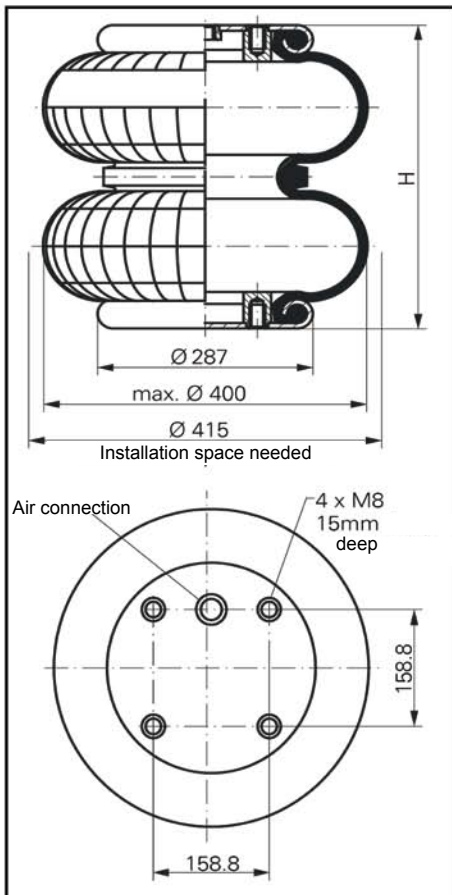


WBZ 630



Force-height diagramm

Air connection

WBZ 630-E1 G1
WBZ 630-E2 G1/4

Technical data

Min. pressure	0 bar
Return force to min. height	≤ 400 N
Overall weight with clamped plates	7.3 kg

Vibration isolation - dynamic characteristic values

Design height recommended 260mm, minimum 245mm

Pressure p	[bar]	3	4	5	6	7	8	Vol V [l]
Force (Load)	[kN]	17.3	23.4	29.3	35.9	42.3	48.2	19.6
Spring rate c	[N/cm]	1880	2350	2875	3390	3850	4450	
Natural frequenz f0	[Hz]	1.6	1.6	1.6	1.5	1.5	1.5	

Pneumatic application - static characteristic values

Force F [kN]

Pressure p	[bar]	3	4	5	6	7	8	Vol.[l]
Height H [mm]	300	13.0	17.7	22.2	27.7	32.8	38.4	22.0
	260	17.3	23.4	29.3	35.9	42.3	48.2	19.6
	220	20.9	28.0	34.8	42.0	49.3	56.4	17.0
	180	23.7	31.9	39.0	46.9	55.1	63.2	14.0
	140	26.1	34.6	42.3	50.2	59.3	67.8	10.6
	100	27.9	36.8	44.7	52.4	61.7	70.5	7.4



Service instructions

M 8 = 25 Nm
G 1/4 = 25 Nm
G 1 = 50 Nm