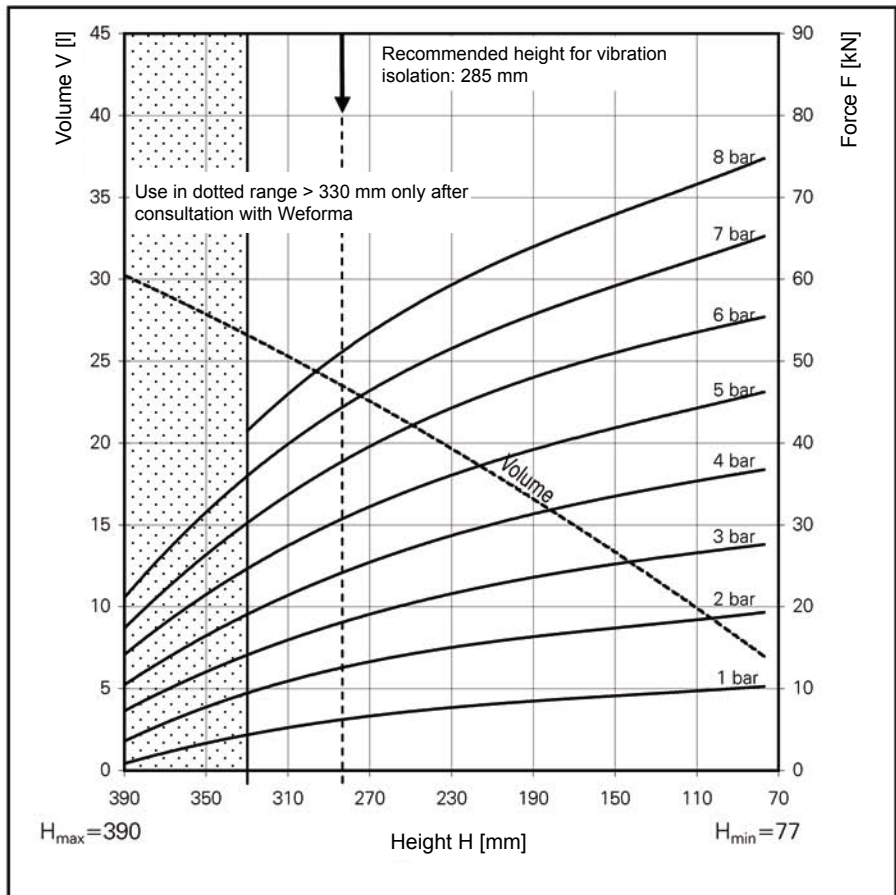
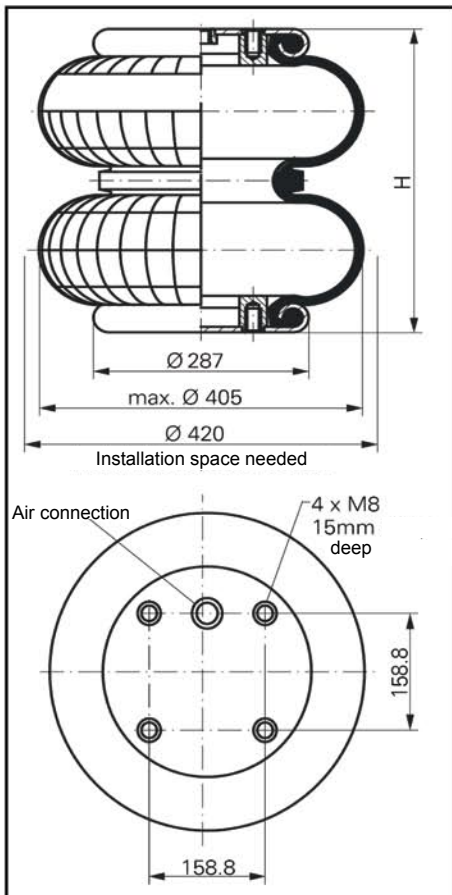


WBZ 640



Force-height diagramm

Air connection

WBZ 640-E1 G1
WBZ 640-E2 G1/4

Technical data

Min. pressure	0 bar
Return force to min. height	≤ 400 N
Overall weight with clamped plates	7.7 kg

Vibration isolation - dynamic characteristic values

Design height recommended 285mm, minimum 265mm

Pressure p [bar]	3	4	5	6	7	8	Vol V [l]
Force (Load) [kN]	18.7	25.1	31.6	38.2	44.6	51.2	23.5
Spring rate c [N/cm]	1770	2250	2700	3180	3640	4100	
Natural frequenz f0 [Hz]	1.5	1.5	1.5	1.4	1.4	1.4	

Pneumatic application - static characteristic values

Force F [kN]

Pressure p [bar]	3	4	5	6	7	8	Vol. (l)	
Height H [mm]	320	14.9	20.4	25.9	32.0	37.6	43.7	26.0
	280	18.5	24.5	31.0	38.1	45.0	51.7	23.2
	240	21.1	28.0	35.5	43.3	50.3	57.9	20.5
	200	23.1	30.7	38.5	47.1	54.8	62.8	17.5
	160	24.8	33.1	41.3	50.4	58.4	67.2	14.1
	120	26.2	34.8	43.4	52.9	61.5	70.6	10.8



Service instructions

M 8 = 25 Nm
G 1/4 = 25 Nm
G 1 = 50 Nm