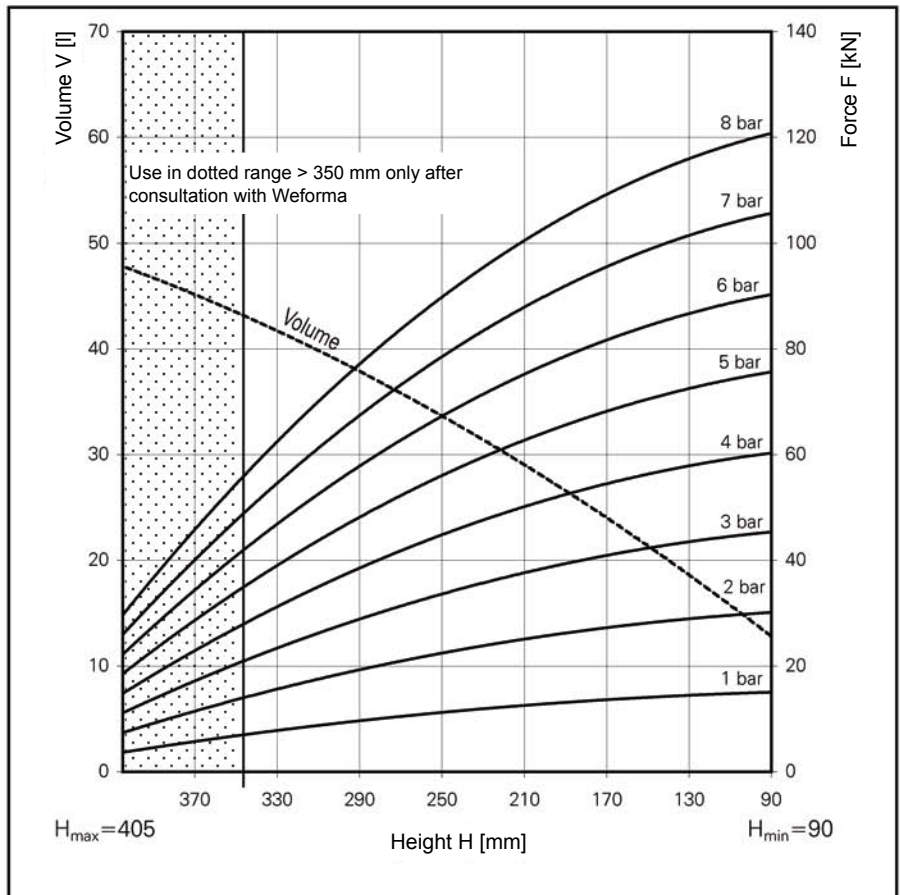
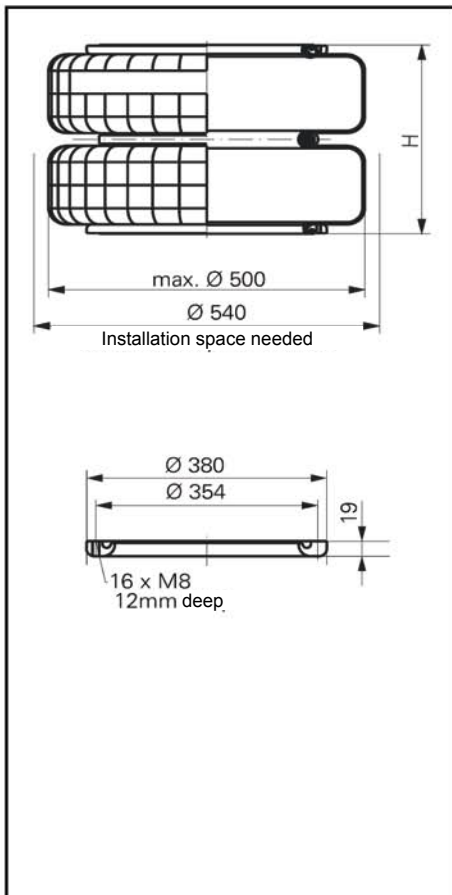


WBZ 700



Force-height diagramm

Technical data

Min. pressure	0 bar
Return force to min. height	≤ 1800 N
Overall weight with clamped plates	14.4 kg

Pneumatic application - static characteristic values

Force F [kN]

Pressure p	[bar]	3	4	5	6	7	8	Vol.[l]
Height H [mm]	330	23.5	31.3	39.0	47.0	54.8	62.7	41.6
	270	31.3	41.7	52.2	62.6	73.0	83.6	35.8
	210	37.5	50.0	63.0	75.0	87.6	100.2	28.5
	150	42.5	56.7	71.0	85.0	99.17	113.3	22.0
	90	45.0	60.0	75.0	90.0	105.0	120.0	12.0



Service instructions

M8 = 25 Nm