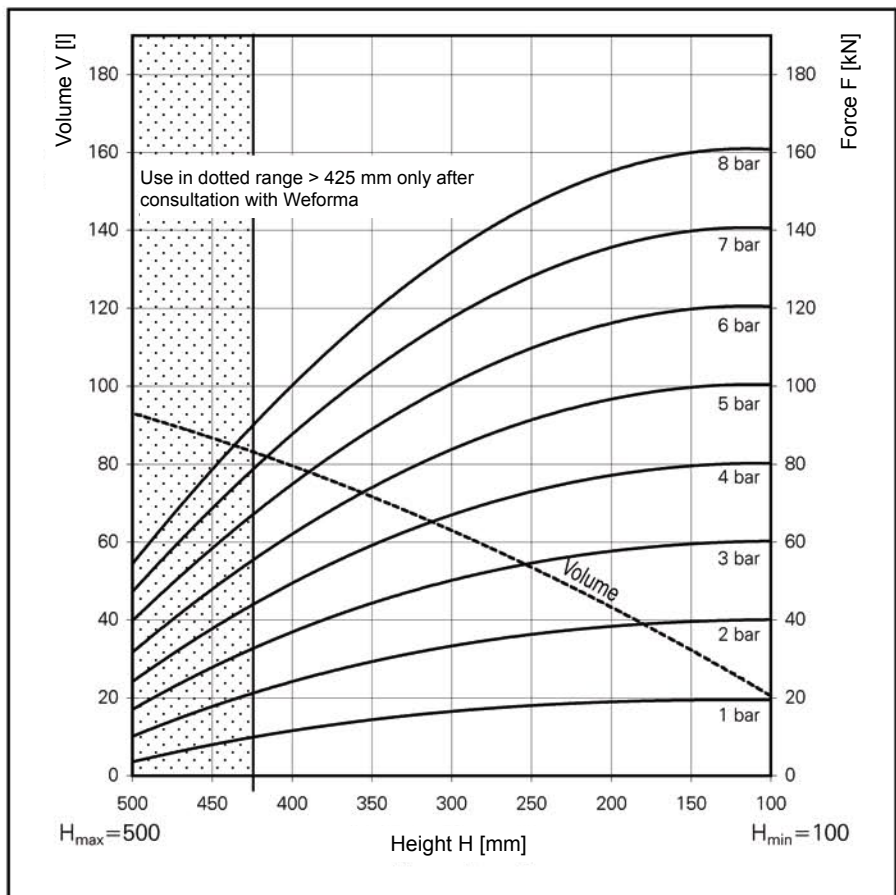
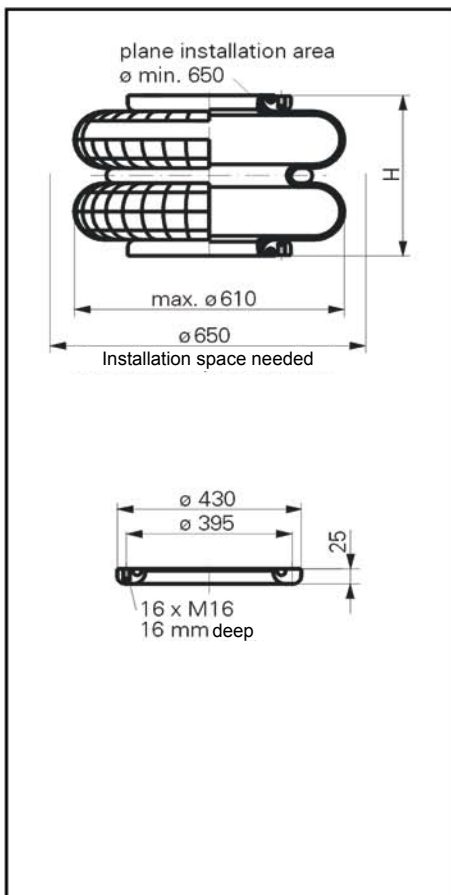


WBZ 800



Force-height diagramm

Technical data

Min. pressure	0 bar
Return force to min. height	≤ 400 N
Overall weight with clamped plates	16.7 kg

Pneumatic application - static characteristic values

Force F [kN]

Pressure p	[bar]	3	4	5	6	7	8	Vol.[l]
Height H [mm]	450	28.0	37.8	48.1	58.8	69.5	80.1	86.0
	350	43.4	58.6	73.3	88.5	103.7	118.8	71.0
	250	54.6	73.1	92.0	110.7	129.3	148.0	52.0
	150	59.4	79.3	99.3	119.3	139.4	159.4	31.0



Service instructions

M16 = 100 Nm