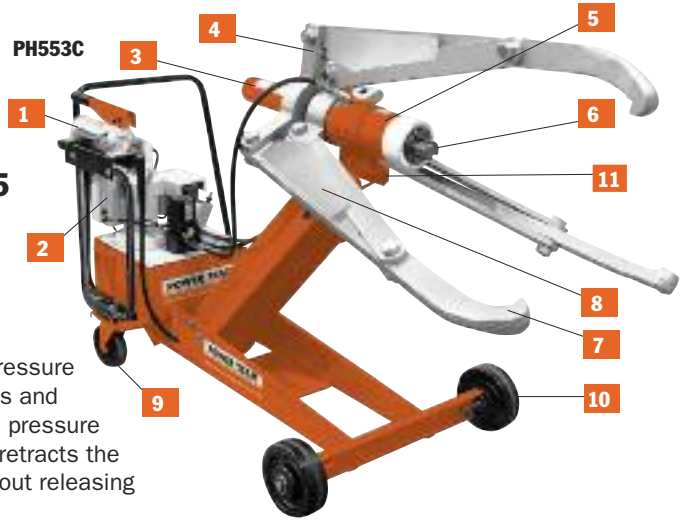


UNIVERSAL PULLERS

55 Ton & 100 TON



Note: Four cylinder extensions (not pictured) are included. The included lifting eyes (not pictured) permit use of an overhead crane to raise entire assembly.



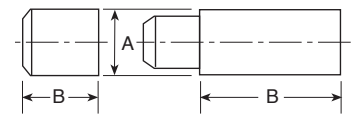
ENFORCER 55

- 1** Hydraulic lift system for easy, precise position of puller.
- 2** Unique dual pump arrangement: Low pressure pump positions, holds and opens jaws. The high pressure pump advances and retracts the pushing cylinder without releasing clamped jaws.
- 3** Hydraulically-actuated jaws. Cylinder moves in or out to provide a safe, secure grip on workpiece.
- 4** Puller can be assembled in 2 or 3 jaw configurations.
- 5** Choice of cylinder with a 6¹/₄" or 13¹/₄" stroke.
- 6** Self-centering: Center cylinder on work; puller jaws will automatically grip work evenly.
- 7** Super Grip-O-Matic® feature means the harder the pull, the tighter the puller jaws grip. No chains or cages required to keep puller jaws from slipping or springing off the part being pulled.
- 8** Guards at pinch points protect operator.
- 9** Cart's swivel casters give ease of mobility.
- 10** Large wheels make movement of cart easy.
- 11** Puller can be mounted on cart 90 degrees to right or left of puller cart centerline, permitting use in tight quarters, such as between machinery.

Conversion kit No. 251468 – Kit converts PH553C series to PH553CL series. Jaws are 12" longer. Kit contains three jaws and six straps with guards. Wt., 250 lbs.

Pushing Adapters

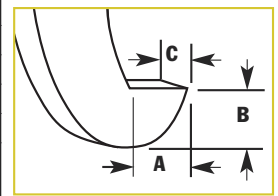
Order No.	A (in.)	B (in.)	Qty.*
251002	2 ³ / ₄	2 ³ / ₄	1
350593†	2 ³ / ₄	6	2
350594	2 ³ / ₄	3	1
350637	2 ³ / ₄	10	1



*Number of adapters supplied with each Enforcer.
†Only 1 for units with 13¹/₄" Stroke.

(251002)

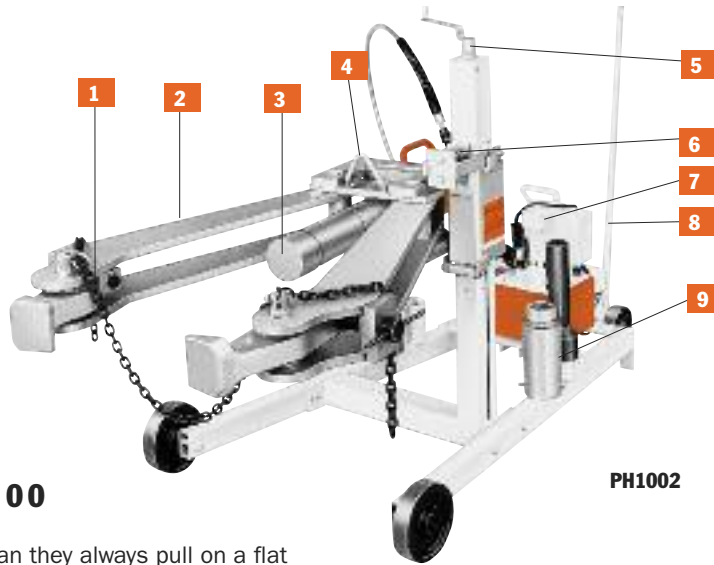
Order No.	Min. Spread (in.)	Reach		Overall Length* (in.)	Cyl. Stroke (in.)	Power Source Requirements	Prod. Wt. (lbs.)	Puller Jaw Tip Dimensions		
		Min. Spread (in.)	Max. Spread (in.)					A (in.)	B (in.)	C (in.)
PH553C	4	22	48	14	90	6 ¹ / ₄	115 V, 60Hz, 25 Amp Cap.	7 ⁷ / ₈	1 ¹ / ₄	1 ⁷ / ₈
PH553C13	4	15	48	7	90	13 ³ / ₄	115V, 60Hz, 25 Amp Cap.			
PH553CL13	2 ¹ / ₂	25 ⁵ / ₈	45 ¹ / ₄	22	102	13 ³ / ₄	115V, 60Hz, 25 Amp Cap.			
PH553C-230	4	22	48	14	90	6 ¹ / ₄	230V, 50/60Hz, 15 Amp Cap.			
PH553C13-230	4	15	48	7	90	13 ³ / ₄	230V, 50/60Hz, 15 Amp Cap.			
PH553CL-230	2 ¹ / ₂	32 ⁵ / ₈	45 ¹ / ₄	29	102	6 ¹ / ₄	230V, 50/60Hz, 15 Amp Cap.			
PH553CL13-230	2 ¹ / ₂	25 ⁵ / ₈	45 ¹ / ₄	22	102	13 ³ / ₄	230V, 50/60Hz, 15 Amp Cap.			



Note: See other pulling attachments on page 201

Note: Cart and Puller (cart width is 32")





ENFORCER 100

PH1002

An ideal puller for steel mills, mines, oil fields, utility projects, paper mills, construction sites, railroads, airline shops, shipyards or anywhere else where large equipment and machinery pose tough maintenance challenges.

- 1 Adjustable jaws mean they always pull on a flat surface. Retaining chain holds jaws in place during positioning.
- 2 Grip-O-Matic® feature means jaws grip progressively tighter as more pulling force is applied.
- 3 100 ton hydraulic cylinder is single-acting, spring return type with a maximum working pressure of 10,000 psi.
- 4 Lifting bracket allows puller to be lifted if the workpiece center is more than 36" off the floor.
- 5 Adjusting screw allows operator to move vertical position of the puller.
- 6 Spring loaded feature means Enforcer 100 will align itself on uneven pulls.
- 7 Hydraulic pump is a 2-stage, high pressure unit controlled by remote hand switch with 25 foot cord.
- 8 Tow bar provides puller with plenty of mobility.
- 9 Pushing adapters have a diameter of 4¹/₈" and 2¹/₂".

"Enforcer 100" universal puller –

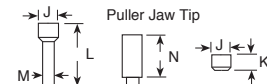
No. PH1002 – 100 ton, 2-jaw universal hydraulic puller. Includes: 2-jaw Grip-O-Matic® puller, PE552S 2-speed electric/hydraulic power unit, C10010C 100 ton hydraulic cylinder with 10¹/₄" stroke and six adapters. Wt., 890 lbs.

No. PH1002J – Same as PH1002, but without hydraulic power unit. Wt., 825 lbs.

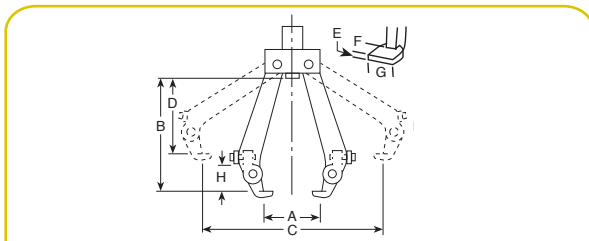
PE552S – Pump only. 1¹/₈ hp, 115 volt, 50/60Hz, single phase, draws 25 amps at full load. Also available in 220 volt, 50Hz.

Note: For 220 volt, 50 Hz applications, order Part No. PH1002-220

Ram extensions



Order No.	Adapter Type	Amount included w/puller	J (in.)	K (in.)	L (in.)	M (in.)	N (in.)
44745	Push	1	4 ¹ / ₈	—	13 ¹ / ₂	2 ¹ / ₂	—
44766	Ext.	4	4 ¹ / ₈	—	—	—	8
303045	Push	1	4 ¹ / ₈	3 ¹ / ₂	—	—	—



Order No.	Reach			Puller Jaw Tip	Cylinder Height	Vertical Stroke Adjust. (in.)	Overall Length (in.)	Max. Thickness Workpiece	Wheel Dia.	Power Source Requirements
	Min. Spread A (in.)	Min. Spread B (in.)	Max. Spread C (in.)							
PH1002	15	42	48	34	10 ¹ / ₄	12-36	94	12	8	115v, 50/60Hz, 25 Amp Cap.
PH1002J	15	42	48	34	10 ¹ / ₄	12-36	94	12	8	—

