

AV and TV

Application

Alternatively to oil drain plugs at oil tanks you can also insert ARGO-HYTOS oil drain valves of type series AV20 or TV. The oil can precisely be discharged over the drain hole into a container or be sucked off by connected oil pumps or ARGO-HYTOS oil service units. Oil change or oil service is being simplified and can be effected almost without loosing any oil.

Examples for applications: Oil storage tanks in all industries, gear boxes, test benches, axles of rail vehicles.

Design and function

ARGO-HYTOS oil drain valves consist of a housing with spindle and poppet sealing. The poppet is opened by the spindle and the oil then will be drained. Threads at the oil drain hole allow connection of oil pumps or ARGO-HYTOS oil service units.

Special design features

- Sealing by precise steel ball
- With Type AV additional sealing of the spindle

Fixing

At the bottom of the tank by screw connection

Operating pressure

Max. 1 bar absolute (not applicable with pressurized containers)

Connection

Threaded port – see Measurements



Hydraulic fluids

Mineral oil and biodegradable hydraulic fluids (HEES and HETG, see info-sheet 00.20)

Temperature range of fluids

- 30°C ... + 100°C

Ambient temperature range

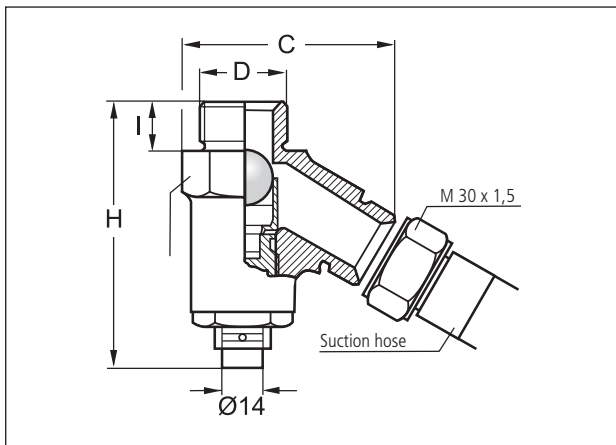
- 30°C ... + 80°C

Materials

Housing: GTW-40 powder-coated

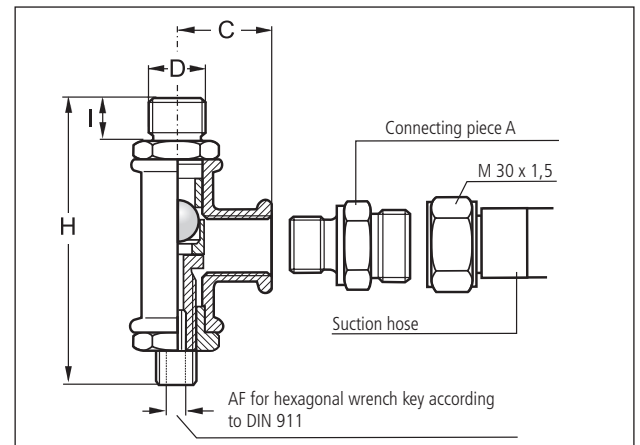
Spindle and ball: steel

Operating position: vertical or horizontal



TYPE AV

Type	D	C	H	I	A/F	Part-No.
AV20	M 32 x 1,5	75	93	16	14	EC330400
AV20/1	M 30 x 1,5	75	93	16	14	EC330410



TYPE TV

Type	D	C	H	I	Connection A	A/F	Part-No.
TV R 1/2"	R 1/2"	28	92	15	M 30 x 1,5 to R 1/2"	6	EC330110
TV R 3/4"	R 3/4"	33	102	16	M 30 x 1,5 to R 3/4"	8	EC330120
TV R 1" *	R 1"	38	125	18	M 30 x 1,5 to R 1"	8	EC330130

* For Type TV R1" the spindle is additionally sealed with cap nut and flat gasket (not shown in drawing).