

- For in-line mounting of hydraulic valves
- Parallel connection of ports P and T
- 1 ...8 sections possible
- Installation dimensions size 04 to ISO 4401 CETOP - RP 121H
- Aluminium EN AW - 7075 T6



Ordering Code

DR1-04 /

In-line connecting plate

Nominal size

Without append

Without designation

0 without cavities*
1 with one cavity for pressure valve
2 with two cavities for pressure relief and unloading valves
 *Version DR1-04/0 only for 2-8 sections

Number of sections

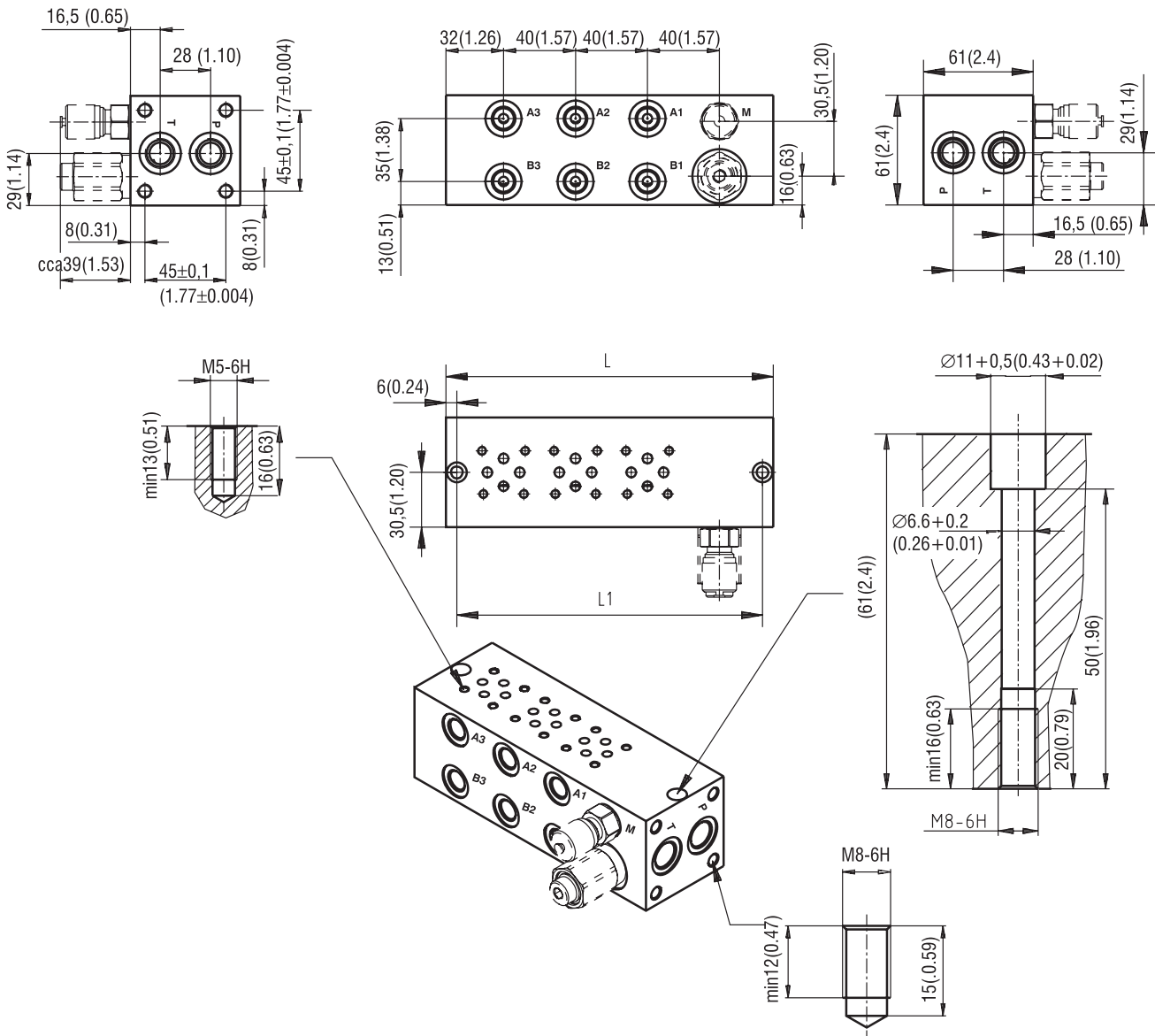
1	1 section
2	2 sections
3	3 sections
4	4 sections
5	5 sections
6	6 sections
7	7 sections
8	8 sections

Valve Dimensions

Dimensions in millimeters (inches)

DR1 04 / □ 1

number of sections 1-8



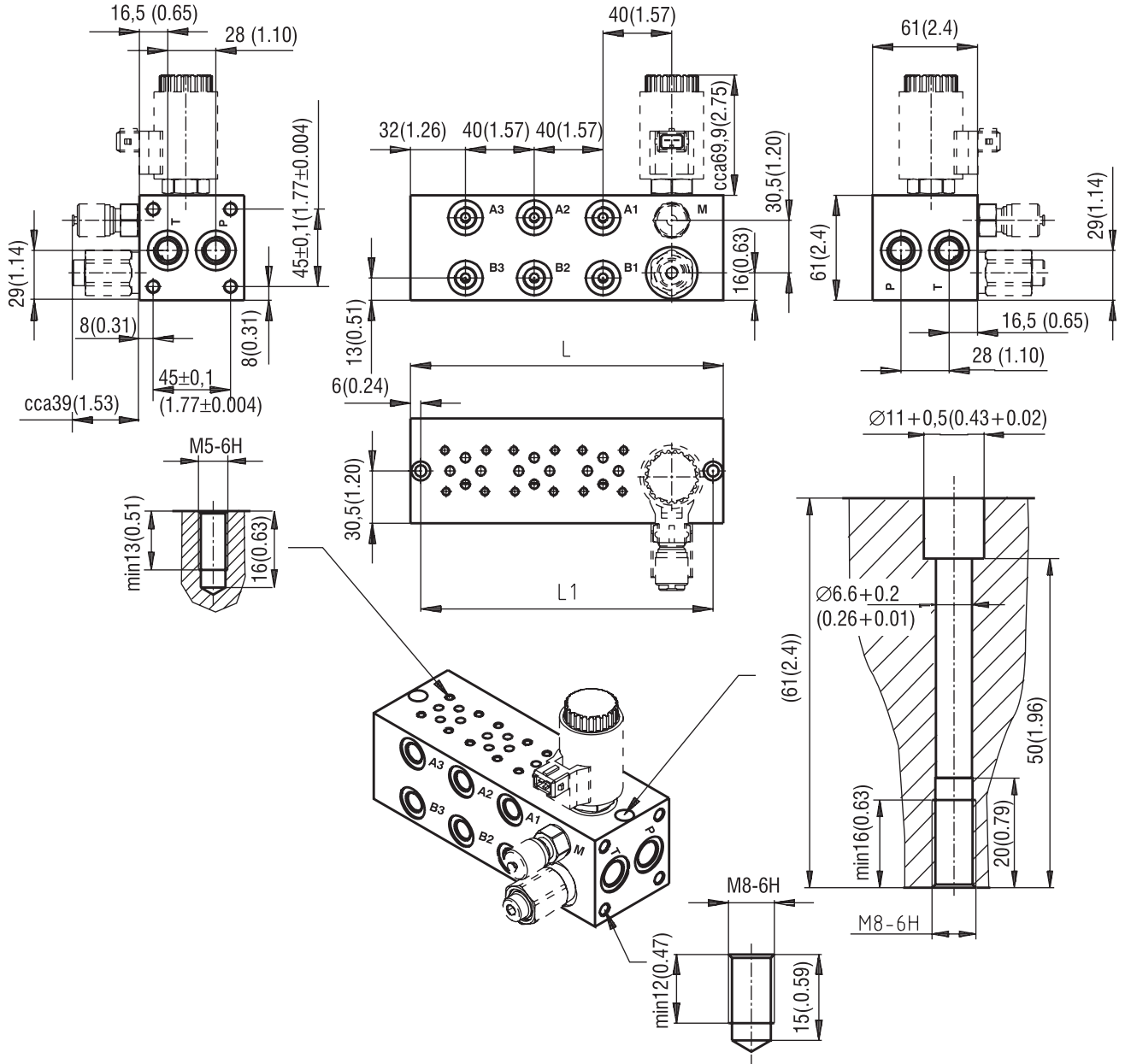
Section number	L [mm(in)]	L1 [mm(in)]	Ordering number
1	102(4.02)	90(3.54)	16113500
2	142(5.59)	130(5.12)	16113600
3	182(7.17)	170(6.69)	16113700
4	222(8.74)	210(8.27)	16113800
5	262(10.31)	250(9.84)	16113900
6	302(11.89)	290(11.42)	16114000
7	342(13.46)	330(12.99)	16114100
8	382(15.04)	370(14.57)	16114200

Valve Dimensions

Dimensions in millimeters (inches)

DR1 04 / 2

number of sections 1-8



Section number	L [mm(in)]	L1 [mm(in)]	Ordering number
1	102(4.02)	90(3.54)	23693100
2	142(5.59)	130(5.12)	23693200
3	182(7.17)	170(6.69)	23693300
4	222(8.74)	210(8.27)	23693400
5	262(10.31)	250(9.84)	16772000
6	302(11.89)	290(11.42)	23693600
7	342(13.46)	330(12.99)	23693700
8	382(15.04)	370(14.57)	23693800

Caution!

- The packing foil is recyclable.
- The technical information regarding the product presented in this catalogue is for descriptive purposes only. It should not be construed in any case as a guaranteed representation of the product properties in the sense of the law.

ARGO-HYTOS s.r.o. CZ - 543 15 Vrchlabí
Tel.: +420-499-403111, Fax: +420-499-403421
E-mail: sales.cz@argo-hytos.com
www.argo-hytos.com