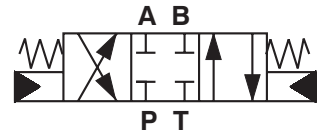


- 4/3-, 4/2-way spool type directional valves hydraulically operated
- Installation dimensions to DIN 24 340 / ISO 4401 / CETOP RP121-H
- Three-chamber valve

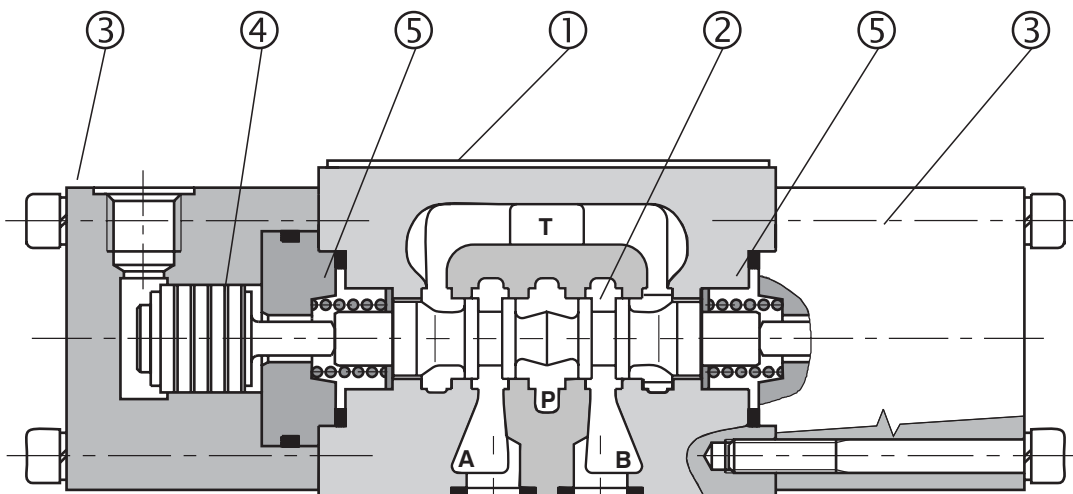


Functional Description

The directional control valves are of modular design and comprise a housing (1) with a cylindrical spool (2) and one or two operating elements (3) consisting of hydraulic pistons (4) and return springs (5). Three-position directional valves are fitted with two hydraulic operating elements and two centering

springs. Two-position directional valves have only one hydraulic operating element and one springs.

The basic surface treatment of valve is phosphate coated.



Ordering Code

RPH2-06 <input type="checkbox"/> <input type="checkbox"/> / <input type="checkbox"/> -1 <input type="checkbox"/>	
<p>Directional control valves hydraulically operated</p> <hr/> <p>Valve size 06 (D 03)</p> <hr/> <p>Number of operating positions two positions 2 three positions 3</p> <hr/> <p>Spool symbols see the table spool symbols</p>	<p style="text-align: right;">Seals NBR V FPM (Viton)</p> <hr/> <p style="text-align: right;">Model</p> <hr/> <p style="text-align: right;">Connecting threads M10x1 G1/8 7/16-20 UNF-2B,SAE-4</p>

Technical Data

Valve size	mm (US)	06 (D 03)
Maximum flow (according to pressure and functional symbols)	L/min (GPM)	see p-Q characteristic
Maximum operating pressure at ports P, A, B	bar (PSI)	350 (5076)
Maximum operating pressure at port T	bar (PSI)	130 (1885)
Minimum pilot pressure	bar (PSI)	30 (435) + pressure at port T
Maximum pilot pressure	bar (PSI)	160 (2300)
Pilot volume	cm ³ (cu.in.)	0,5(0.031)
Pressure drop	bar (PSI)	see Δp-Q characteristic
Hydraulic fluid		Hydraulic oils of power classes (HL, HLP) to DIN 51524
Fluid temperature range for standard sealing (NBR)	°C (°F)	-30 ... +100 (-22 ... +212)
Fluid temperature range for Viton seals (FPM)	°C (°F)	-20 ... +120 (-4 ... +248)
Viscosity range	mm ² /s (SUS)	20 ... 400 (98 ... 1840)
Maximum degree of fluid contamination		Class 21/18/15 to ISO 4406
Service life	cycles	10 ⁷
Weight valve with 1 actuator	kg (lbs)	1,8 (3.96)
valve with 2 actuators		2,5 (5.50)
Mounting position		unrestricted

Spare Parts

Bolt kit			
Dimensions, quantity	Bolt torque		Ordering number
M5 x 45 DIN 912-10.9	8.9 Nm(6.6 ft-lbs)		15845100
10-24 UNC x1.75			2 000 107
Seal kit Dimensions in millimeters			
Type	Dimensions, quantity		Ordering number
	O-ring	Square ring	
Standard NBR	22 x 2 NBR90 (2 pcs.)	9.25 x 1.68 NBR70 (4 pcs.)	20980500
	28 x 2 (2 pcs.)	-	
Viton	22 x 2 (2 pcs.)	-	20980600
	9.25 x 1.78 (4 pcs.)	-	
	28 x 2 (2 pcs.)	-	

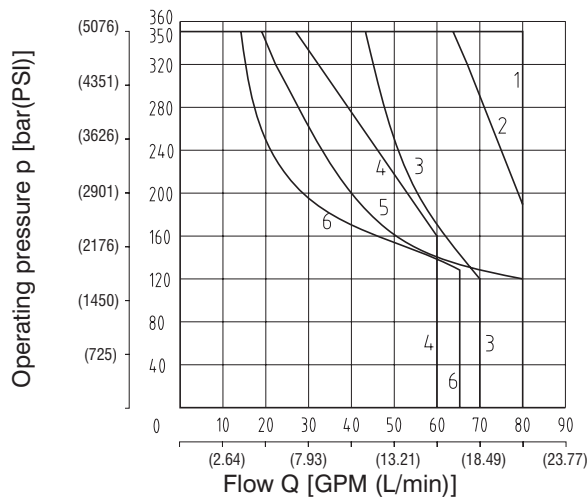
Spool Symbols

Type	Symbol	Crossover	Type	Symbol	Crossover
Z11			C51		
C11			H51		
H11			Y51		
Y11			Y11		
L21			H11		
R11			X11		
A51			Z11		
Z51			J15		

p-Q Characteristic

Measured at $v = 32 \text{ mm}^2/\text{s}$ (156 SUS)

Operating limits for maximum hydraulic power transferred by the directional valve. Measured by steering pressure 30 bar (435PSI) + pressure at port T. For respective spool type - see spool symbols.

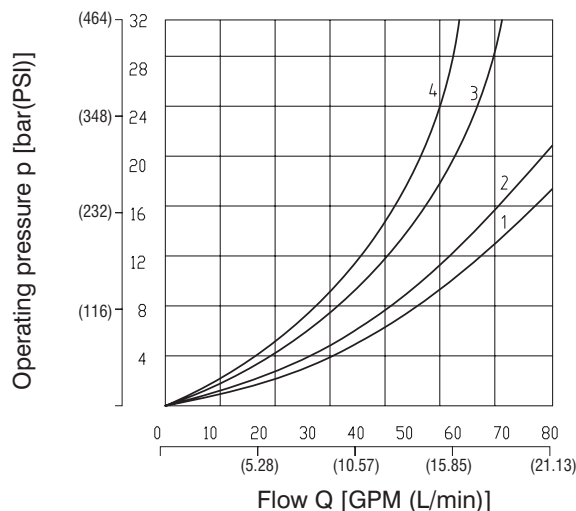


H11	1
H51	1
C11	1
C51	1
Z11	2
Z51	2
J15	3
R11	4
X11	4
A51	5
Y11	6
Y51	6

Δp -Q Characteristic

Measured at $v = 32 \text{ mm}^2/\text{s}$ (156 SUS)

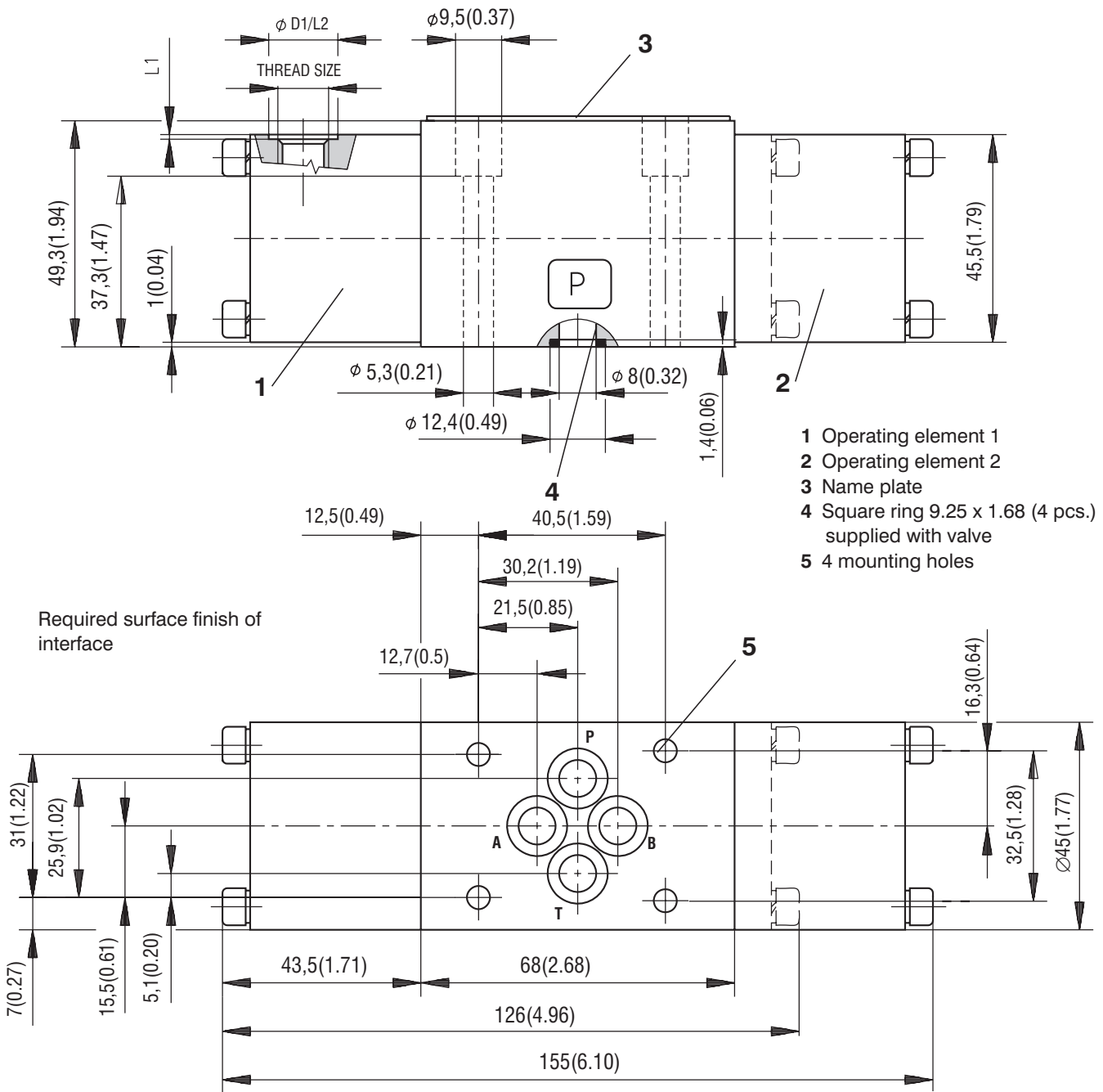
Pressure drop Δp related to flow rate.



	P-A	P-B	A-T	B-T	P-T
Z11	1	1	2	2	
C11	3	3	3	4	2
H11	1	1	1	1	2
H51	1	1	1	1	2
Y11	1	1	1	1	
C51	3			4	2
Z51		1	2		
R11	1	1	2	2	
A51	1	1			
Y51		1	1		
X11	1	1	2	2	
J15	1	1	2	2	

Valve Dimensions

Dimensions in millimeters (inches)



- 1 Operating element 1
- 2 Operating element 2
- 3 Name plate
- 4 Square ring 9.25 x 1.68 (4 pcs.) supplied with valve
- 5 4 mounting holes

Required surface finish of interface

Thread size	$\phi D1$	L1	L2
M10x1	15,5 (0.610)	1(0.039)	8 (0.315)
G1/8			
7/16-20 UNF-2B, SAE-4	21 (0.827)	0,8 (0.032)	14 (0.551)

Caution!

- For applications outside the given parameters, please consult us.
- Other for spool symbols on request.
- The packing foil is recyclable.
- The protective plate can be returned to manufacturer.
- Mounting screws M5 x 45 DIN 912-10.9 or bolts must be ordered separately. The screws tightening torque is 8.9 Nm (6.6 ft-lbs).
- The technical information regarding the product presented in this catalogue is for descriptive purposes only. It should not be construed in any case as a guaranteed representation of the product properties in the sense of the law.

ARGO-HYTOS s.r.o. CZ - 543 15 Vrchlabí
 Tel.: +420-499-403111, Fax: +420-499-403421
 E-mail: sales.cz@argo-hytos.com
 www.argo-hytos.com