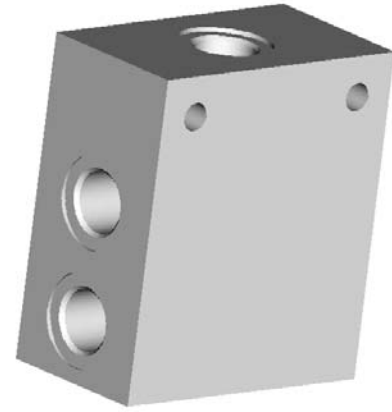


- Pipeline housing for cartridge valves
- Installation dimensions to ISO 4401 and SAE
- Materials available are aluminum and steel



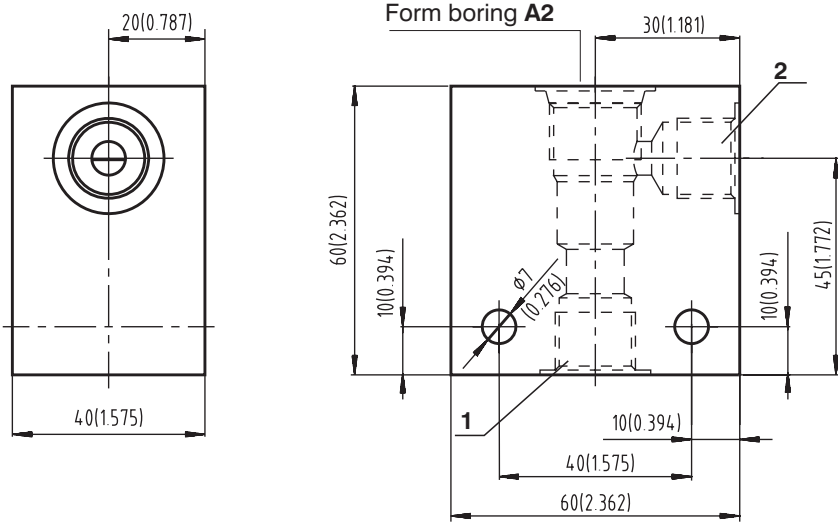
Ordering Code

	SB- 	-		-		-																												
<p>Screw in Cartridge, Body</p>																																		
<p>Form boring 3/4-16 UNF-2B 7/8-14 UNF-2B</p>	A B																																	
<p>Number of ways</p>	2 3 4																																	
<p>Body configuration</p>								01																										
		<p>Body material Aluminium Steel, Surface treatment Zn</p>			<table border="0" style="width: 100%;"> <tr> <td style="width: 100px;"></td> <td style="text-align: center;">AL</td> </tr> <tr> <td></td> <td style="text-align: center;">ST</td> </tr> </table>						AL		ST																					
	AL																																	
	ST																																	
		<table border="0" style="width: 100%;"> <tr> <td style="width: 100px;">01</td> <td style="text-align: right;">Connecting size</td> <td style="width: 100px;"></td> <td></td> </tr> <tr> <td>02</td> <td style="text-align: right;">G1/4</td> <td></td> <td style="text-align: right;">*</td> </tr> <tr> <td>03</td> <td style="text-align: right;">SAE 6</td> <td></td> <td style="text-align: right;">*</td> </tr> <tr> <td>04</td> <td style="text-align: right;">G3/8</td> <td></td> <td></td> </tr> <tr> <td>05</td> <td style="text-align: right;">SAE 8</td> <td></td> <td></td> </tr> <tr> <td>06</td> <td style="text-align: right;">G1/2</td> <td></td> <td style="text-align: right;">**</td> </tr> <tr> <td></td> <td style="text-align: right;">SAE 10</td> <td></td> <td style="text-align: right;">**</td> </tr> </table>			01	Connecting size			02	G1/4		*	03	SAE 6		*	04	G3/8			05	SAE 8			06	G1/2		**		SAE 10		**		
01	Connecting size																																	
02	G1/4		*																															
03	SAE 6		*																															
04	G3/8																																	
05	SAE 8																																	
06	G1/2		**																															
	SAE 10		**																															
		<p>* only for Form boring 3/4-16 UNF-2B **only for Form boring 7/8-14 UNF-2B</p>																																

Form Boring - 3/4-16 UNF-2B

Dimensions millimeters (inches)

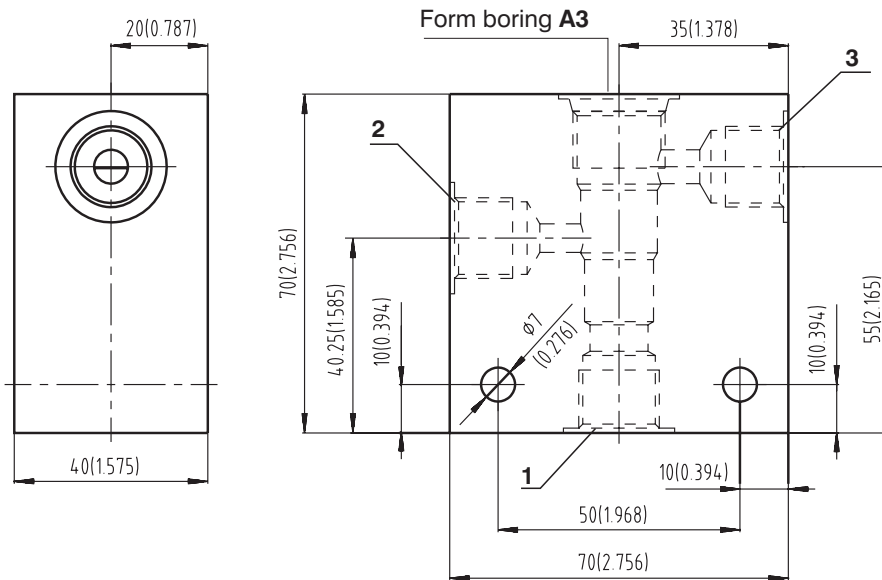
Body for 2 Way SIC Valve



Connections	
1	2
G1/4, G3/8	
SAE 6, SAE 8	

Body material	Pressure	Weight
Aluminium	up to 250 bar (3626 PSI)	0,56 kg (1,23 lbs)
Steel	up to 420 bar (6091 PSI)	1,57 kg (3.46 lbs)

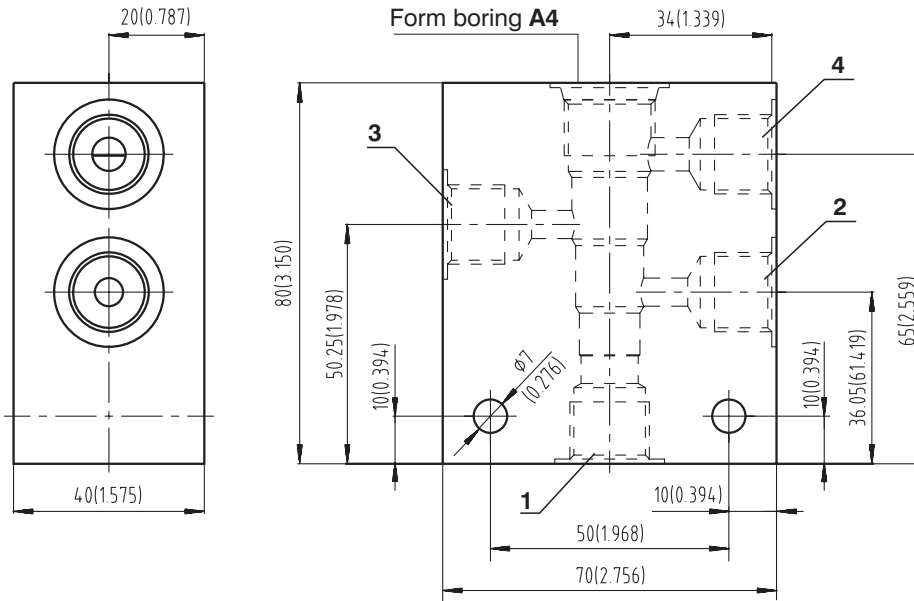
Body for 3 Way SIC Valve



Connections		
1	2	3
G1/4, G3/8		
SAE 6, SAE 8		

Body material	Pressure	Weight
Aluminium	up to 250 bar (3626 PSI)	0,63 kg (1,39 lbs)
Steel	up to 420 bar (6091 PSI)	1,78 kg (3,92 lbs)

Body for 4 Way SIC Valve

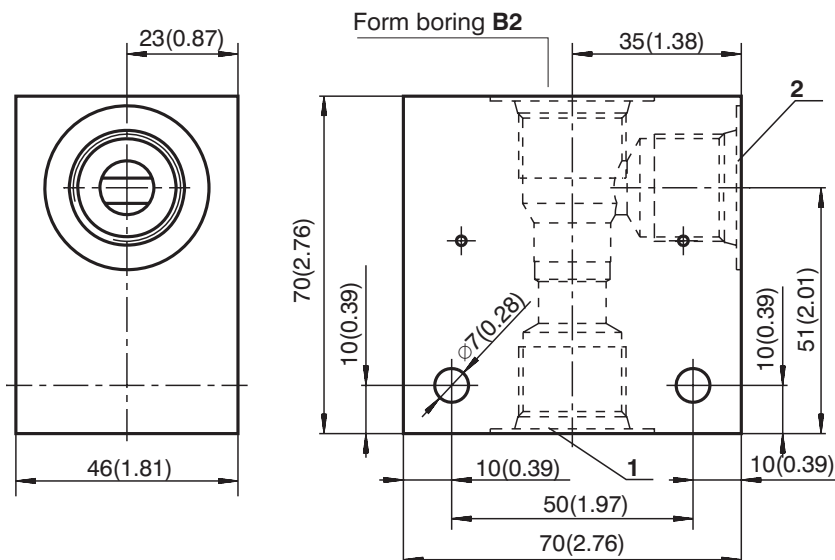


Connections			
1	2	3	4
G1/4, G3/8			
SAE 6, SAE 8			

Body material	Pressure	Weight
Aluminium	up to 250 bar (3626 PSI)	0,76 kg (1,68 lbs)
Steel	up to 420 bar (6091 PSI)	0,53 kg (4,72 lbs)

Form Boring - 7/8-14 UNF-2B

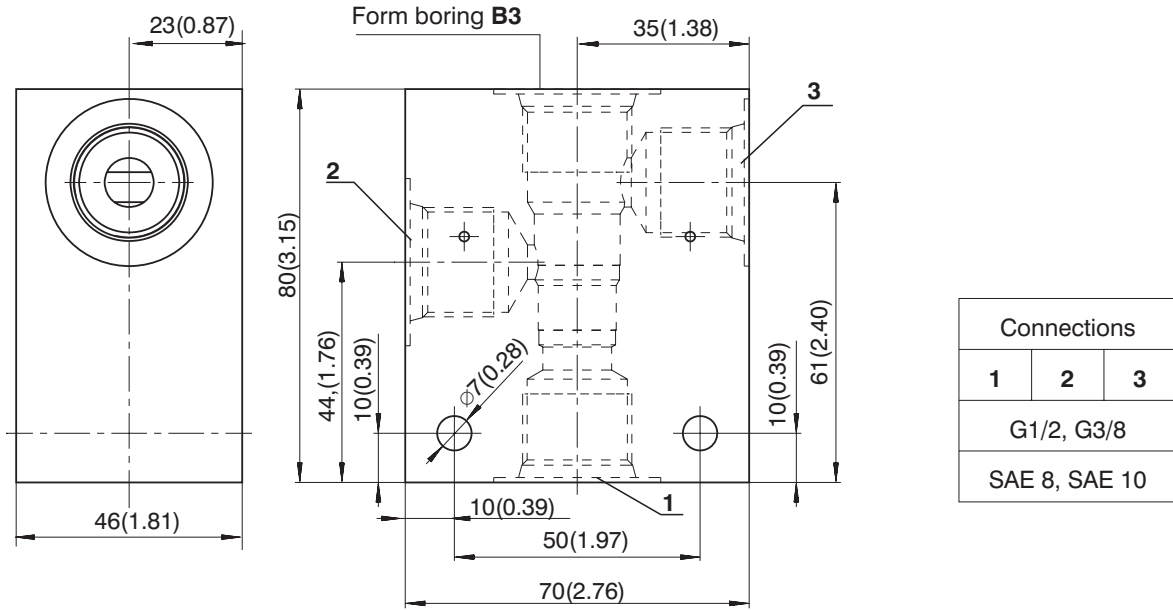
Body for 2 Way SIC Valve



Connections	
1	2
G1/2, G3/8	
SAE 8, SAE 10	

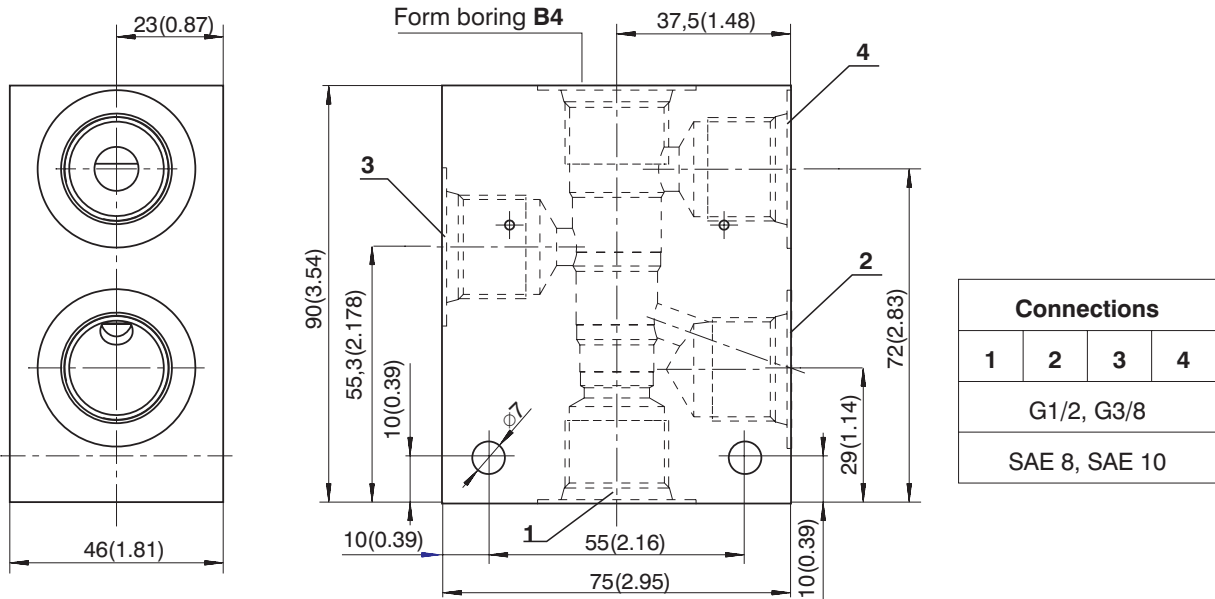
Body material	Pressure	Weight
Aluminium	up to 250 bar (3626 PSI)	0,54 kg (1,19 lbs)
Steel	up to 420 bar (6091 PSI)	1,50 kg (3.31 lbs)

Body for 3 Way SIC Valve



Body material	Pressure	Weight
Aluminium	up to 250 bar (3626 PSI)	0,60 kg (1,32 lbs)
Steel	up to 420 bar (6091 PSI)	1,68 kg (3,70 lbs)

Body for 4 Way SIC Valve



Body material	Pressure	Weight
Aluminium	up to 250 bar (3626 PSI)	0,71kg (1.57 lbs)
Steel	up to 420 bar (6091 PSI)	1,99 kg (4.39 lbs)

Caution!

- Recommended fixing bolts M6 x 55 DIN 912-10.9, bolt tightening torque 14+2 Nm (10.33+1.48 lbf.ft)
- The packing foil is recyclable.
- The technical information regarding the product presented in this catalogue is for descriptive purposes only. It should not be construed in any case as a guaranteed representation of the product properties in the sense of the law.

ARGO-HYTOS s.r.o. CZ - 543 15 Vrchlabí
 Tel.: +420-499-403111, Fax: +420-499-403421
 E-mail: sales.cz@argo-hytos.com
 www.argo-hytos.com